

AC Current Transducer CVI 600S

$I_{PN}=7.5-15-30-60A$

Transducer for the electronic measurement of AC sinusoidal waveforms, with galvanic isolation between the primary (High power) and the secondary circuit (Electronic circuit).



RoHS COMPLIANT

● Operating performances (AT =25°C)

Primary current	I_{PN}	7.5,15,30,60	A
Output signal	I_{OUT}	4~20	mA/dc
Supply voltage ($\pm 10\%$)	V_{CC}	18	Vdc
Load resistance	R_L	< 250	Ω
Accuracy	ϵ_L	± 2	%
RMS Isolation voltage test, 50Hz,1min	X	2	KV
Frequency bandwidth	f	40~400	Hz

● General data

Operating temperature	T_O	-25~+70°C	
Storage temperature	T_S	-40~+80°C	
Operating Humidity		0 - 95	% RH
Storage Humidity (Non-Condensing)		0 - 98	% RH
Mass	m	120g	
Note	Insulated plastic case recognized according to UL 94-V0		

● Features

◆AC sinusoidal measurement	◆Panel mounting
◆Average responding	◆Current output

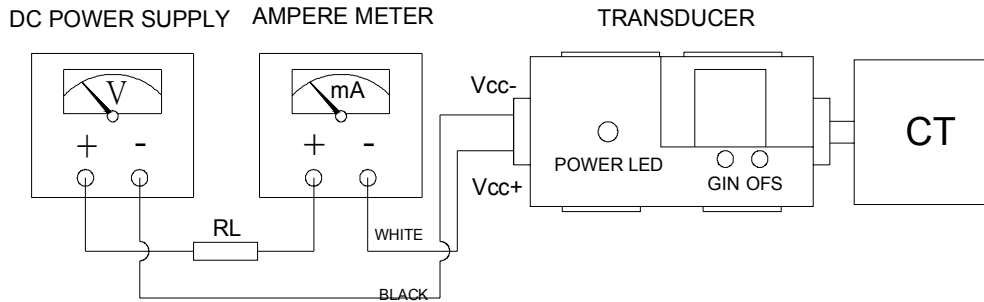
● Applications

◆ Automation systems	Analog current reading for remote monitoring(e.g.motor)
◆ Panel meters	Simple connection displays power consumption.

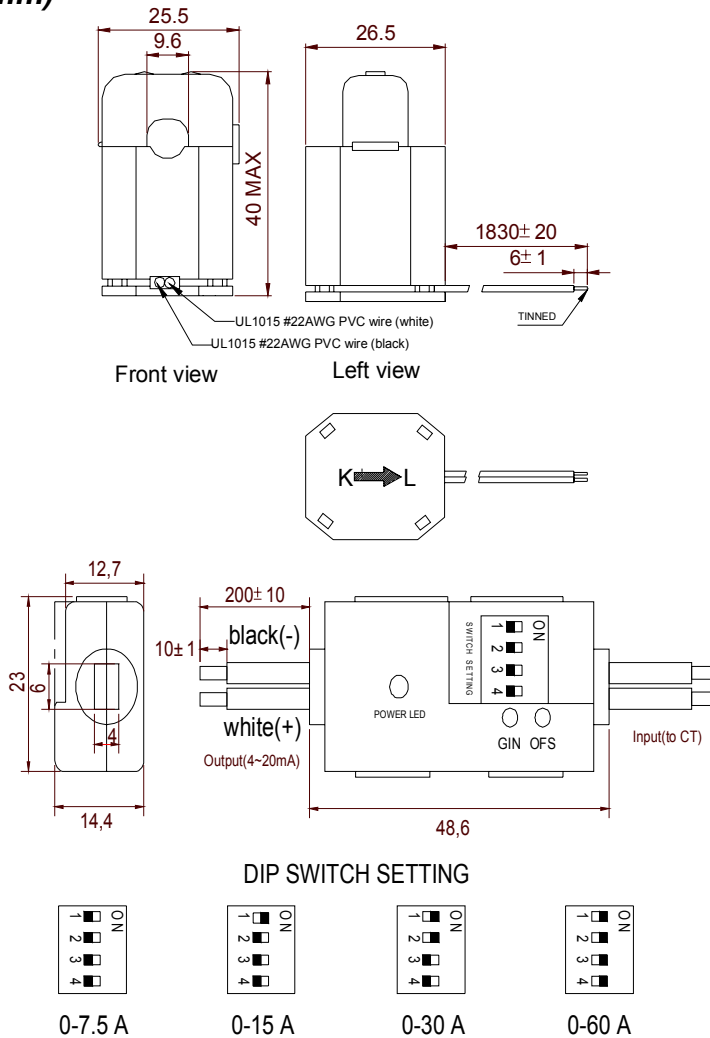
● Advantages

◆Easy to mount	◆High isolation between primary and secondary circuits
----------------	--

● **Connection**



Dimensions (unit: mm)



● **Remarks**

Temperature of the primary conductor should not exceed 60