

AC Current Transducer CVP 201S

I_{PN}=25-50-100-200A

Transducer for the electronic measurement of AC sinusoidal waveforms,
 with galvanic isolation between the primary (High power) and the
 secondary circuit (Electronic circuit).



RoHS COMPLIANT



● Operating performances (AT =25°C)

Primary current	I _{PN}	25,50,100,200	A
Output signal	I _{OUT}	4~20	mA/dc
Supply voltage (±10%)	V _{CC}	18-35	Vdc
Load resistance	R _L	<250	Ω
Accuracy	ε _L	±2	%
RMS Isolation voltage test, 50Hz, 1min	X	2	KV
Frequency bandwidth	f	50-60	Hz

● General data

Operating temperature	T _O	-25~+70°C	
Storage temperature	T _S	-40~+80°C	
Operating Humidity		0 - 95	% RH
Storage Humidity (Non-Condensing)		0 - 98	% RH
Mass	m	150g	
Note		Insulated plastic case recognized according to UL 94-V0	

● Features

◆AC sinusoidal measurement	◆Panel mounting
◆Average responding	◆Current output

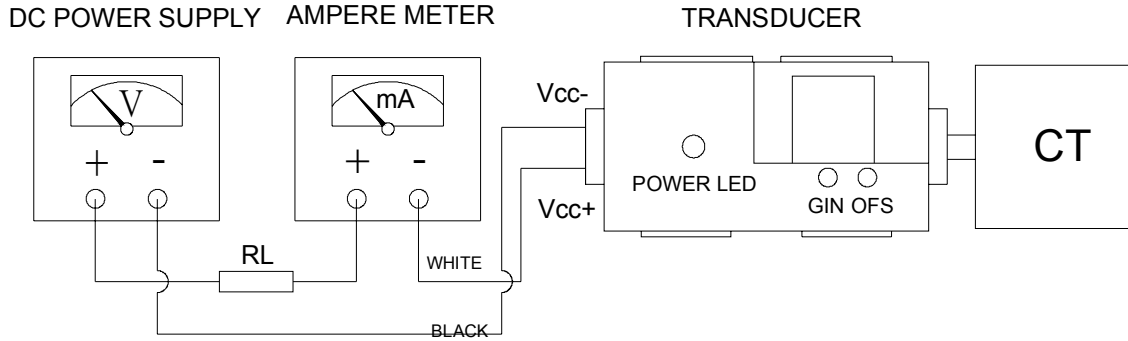
● Applications

◆ Automation systems	Analog current reading for remote monitoring(e.g.motor) .
◆ Panel meters	Simple connection displays power consumption.

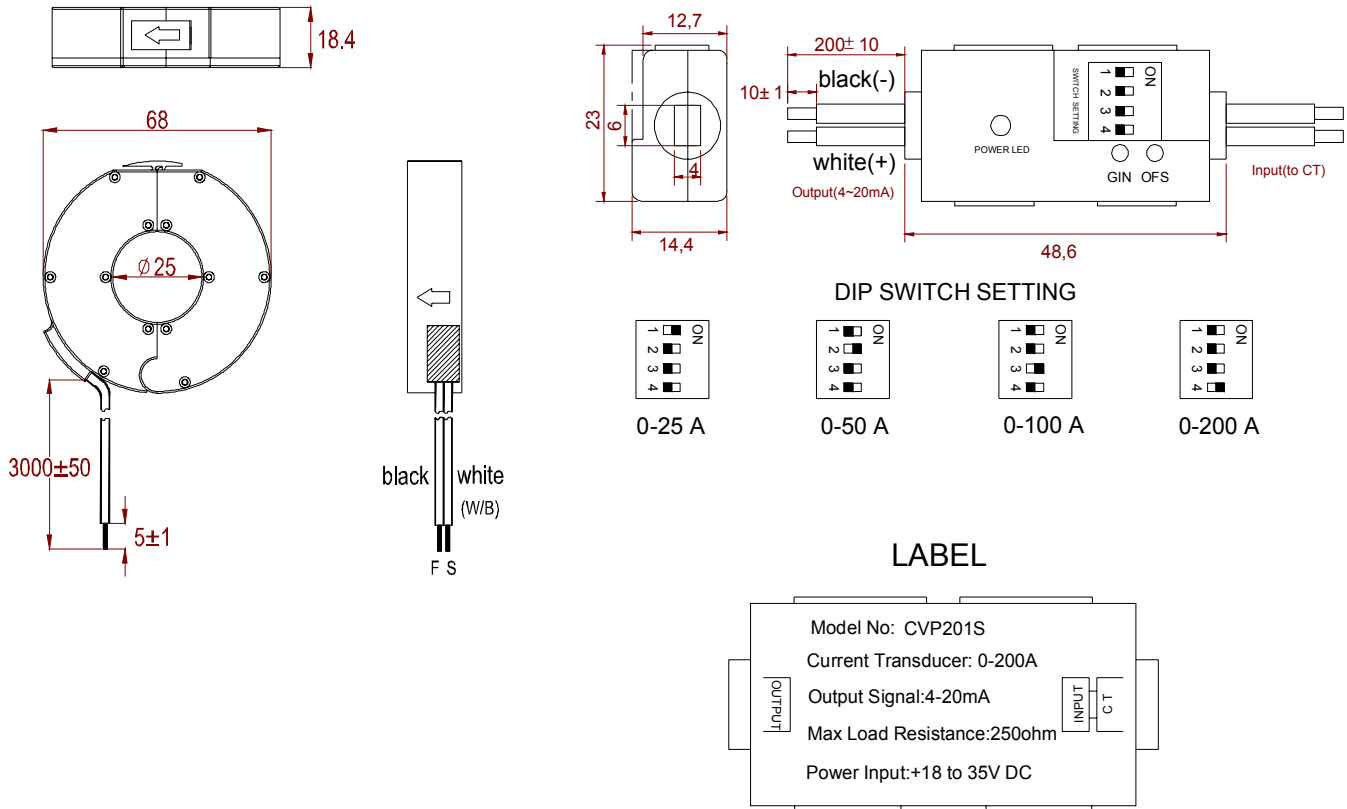
● Advantages

◆Easy to mount	◆High isolation between primary and secondary circuits
----------------	--

● **Connection**



● **Dimensions (unit: mm)**



● **Remarks**

- ◆ Temperature of the primary conductor should not exceed 60 °C