

Hall Current Sensor -TA250-CCS

$I_{PN}=5..25A$

For the electronic measurement of currents:DC,AC,pulsed,mixed,
 with a galvanic isolation between the primary(high power)
 circuit and the secondary(electronic) circuit.



RoHS COMPLIANT



● Operating performance (AT =25°C)

Performance	Model	TA5R0 CCS	TA7R5 CCS	TA100 CCS	TA120 CCS	TA150 CCS	TA200 CCS	TA250 CCS
Primary nominal r.m.s. current	I_{PN} (A)	5	7.5	10	12.5	15	20	25
Primary current measuring range	I_P (A)	0~±10	0~±15	0~±20	0~±25	0~±30	0~±40	0~±50
Supply voltage	V_{CC}	±15V (±5%)						
Output voltage	V_{OUT}	4V ±1% @± I_{PN} , $R_L=10K\Omega$						
Current consumption	I_C	≤±20+ I_S mA @ ± I_{PN}						
Offset voltage	V_O	<±0.03V @ $I_P=0, T_A=25^\circ C$						
Thermal drift of V_O	V_{OT}	≤±0.5mV/°C						
Thermal drift of V_{OUT}	$TC\varepsilon_G$	<±0.04%/°C						
Response time	t_r	< 1µs						
Linearity	ε_L	≤±0.1% @0~± I_{PN}						
Accuracy	X	±1% @ I_{PN}						
Hysteresis offset voltage	V_{OH}	≤±20mV @±2 $I_{PN} \rightarrow 0$						
Isolation voltage	V_d	2.5KV @50(60)HZ/1min						
Frequency bandwidth	f	0~150KHz						

● General data

Operating temperature	T_O	-25 ~ +85°C
Storage temperature	T_S	-40 ~ +85°C
Mass	m	< 20g
Note		Insulated plastic case recognized according to UL 94-V0

● Applications

◆AC variable speed drives	◆DC motor drives
◆Battery supplied applications	◆Switched Mode Power Supplies(SMPS)
◆Uninterruptible Power Supplies(UPS)	◆Power supplies for welding applications.

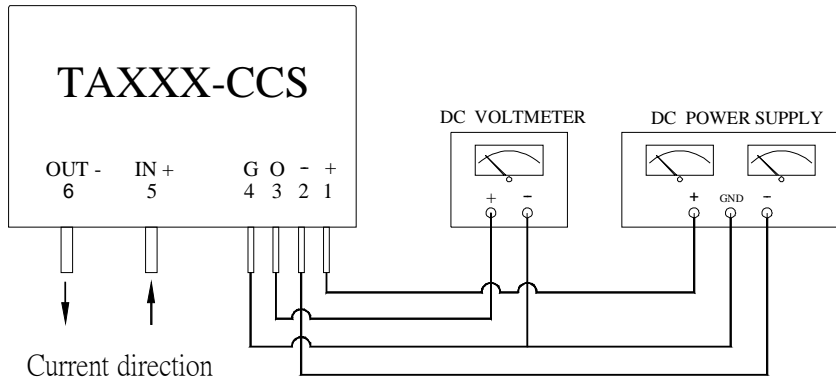
● Advantages

◆Excellent accuracy	◆Very good linearity
◆Low temperature drift	◆High immunity to external interference
◆No insertion losses	◆Optimized response time
◆Wide frequency bandwidth	◆Current overload capability

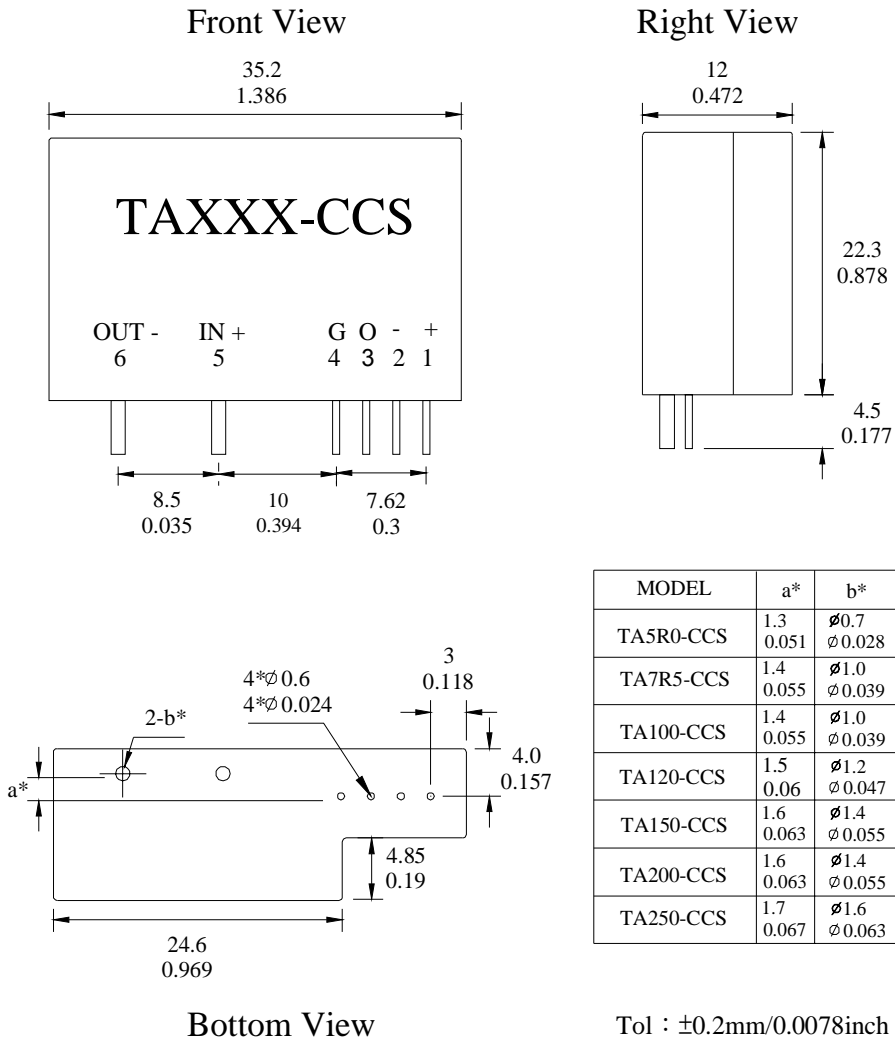
Hall Current Sensor -TA250-CCS

I_{PN}=5..25A

● Connection



● Dimensions (Unit:mm/inch)



MODEL	a*	b*
TA5R0-CCS	1.3 0.051	∅0.7 ∅0.028
TA7R5-CCS	1.4 0.055	∅1.0 ∅0.039
TA100-CCS	1.4 0.055	∅1.0 ∅0.039
TA120-CCS	1.5 0.06	∅1.2 ∅0.047
TA150-CCS	1.6 0.063	∅1.4 ∅0.055
TA200-CCS	1.6 0.063	∅1.4 ∅0.055
TA250-CCS	1.7 0.067	∅1.6 ∅0.063

Tol : ±0.2mm/0.0078inch