

Hall Current Sensor -TW250-OCS

$I_{PN}=5..25A$

For the electronic measurement of currents:DC,AC,pulsed,mixed,
 with a galvanic isolation between the primary(high power)
 circuit and the secondary(electronic) circuit.



Operating performance (AT=25°C)

Performance	Model	TW5R0 OCS	TW7R5 OCS	TW100 OCS	TW120 OCS	TW150 OCS	TW200 OCS	TW250 OCS
Primary nominal r.m.s. current	I_{PN} (A)	5	7.5	10	12.5	15	20	25
Primary current measuring range	I_P (A)	0~±10	0~±15	0~±20	0~±25	0~±30	0~±40	0~±50
Supply voltage	V_{CC}	±15 V (±5%)						
Output voltage	V_{OUT}	4 V±1% @± I_{PN} , $R_L=10K\Omega$						
Current consumption	I_C	±18mA @ ± I_{PN}						
Offset voltage	V_O	< ±0.03V @ $I_P=0, T_A=25^\circ C$						
Thermal drift of V_O	V_{OT}	±0.5mV/						
Thermal drift of V_{OUT}	$TC\epsilon_G$	< ±0.04%/						
Response time	t_r	< 3µs						
Linearity	ϵ_L	±1% @0~± I_{PN}						
Accuracy	X	±1% @ I_{PN}						
Hysteresis offset voltage	V_{OH}	±20mV @±3 I_{PN} 0						
Isolation voltage	V_d	2.5KV @50(60)HZ/1min						
Frequency bandwidth	f	0~100KHz						

General data

Operating temperature	T_O	-25~+85°C
Storage temperature	T_S	-40~+85°C
Mass	m	17g
Note	Insulated plastic case recognized according to UL 94-V0	

Applications

AC variable speed drives and servo motor drives	Static converters for DC motor drives
Battery supplied applications	Switched Mode Power Supplies(SMPS)
Uninterruptible Power Supplies(UPS)	Power supplies for welding applications

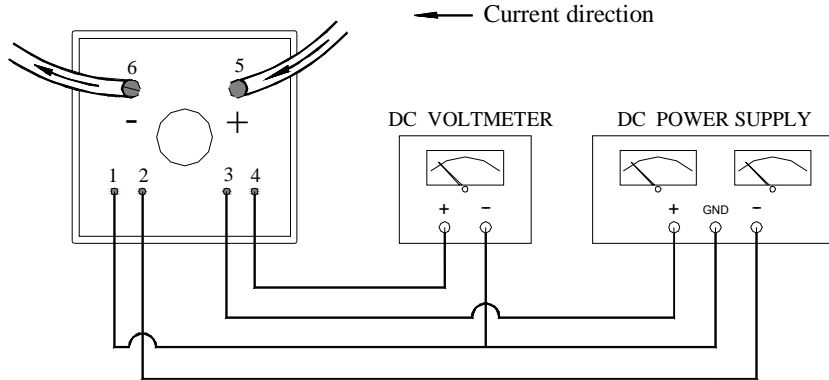
Advantages

No insertion losses	Optimized response time
Easy to mount with automatic handling system	High immunity to external interference
Small size and space saving	Wide frequency bandwidth

Hall Current Sensor -TW250-OCS

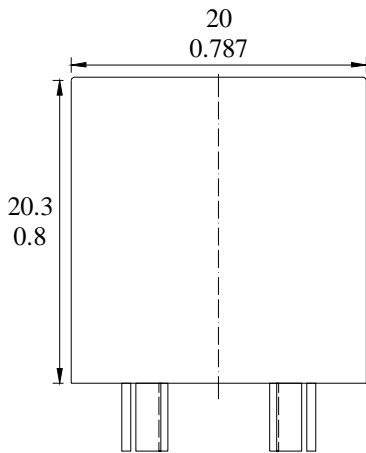
$I_{PN}=5..25A$

Connection

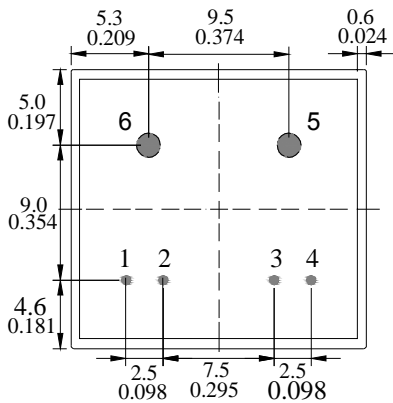
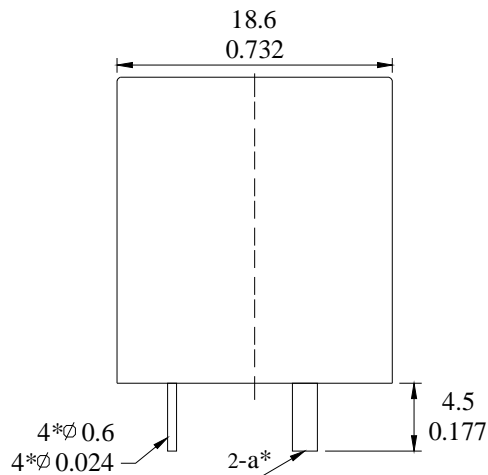


Dimensions (Unit:mm/inch)

Front View



Right View



MODEL	a*
TW5R0-OCS	Ø0.8 / Ø 0.031
TW7R5-OCS	Ø1.0 / Ø 0.039
TW100-OCS	Ø1.0 / Ø 0.039
TW120-OCS	Ø1.2 / Ø 0.047
TW150-OCS	Ø1.2 / Ø 0.047
TW200-OCS	Ø1.6 / Ø 0.063
TW250-OCS	Ø1.6 / Ø 0.063

Tol : ±0.2mm/0.0078inch

PIN Af

Bottom View

Pin1:Ground,Pin2:-15V,Pin3:+15V,Pin4: OUTPUT, Pin5:PRIMARY CURRENT(IN+),Pin6:PRIMARY CURRENT(IN-)