
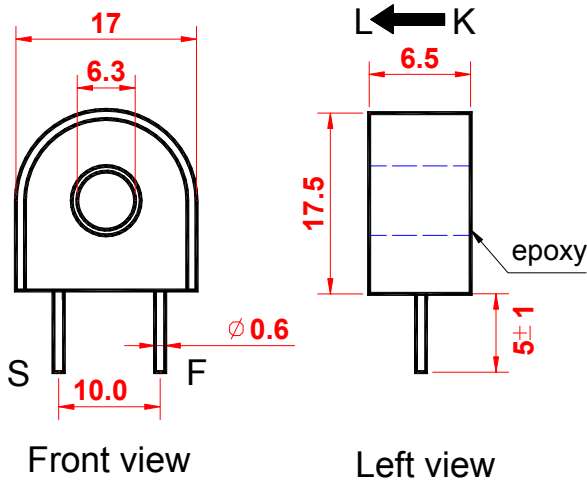


## AC Current Transformer 50/60 Hz CT03-1 Series

RoHS Compliant  
 UL/CE-Approved

Part Number	Electrical Characteristic				Photo
	Current Ratio	Accuracy Class (%)	Turns Ratio (Np:Ns)	RL (Ω)	
CT031100 A	10A / 10mA	1	1: 1000	10	
CT031100P	10A / 10mA	1	1: 1000	10	
CT031100 S	20A / 20mA	5	1: 1000	10	

### Mechanical Dimensions in mm



### Test Circuit:

