
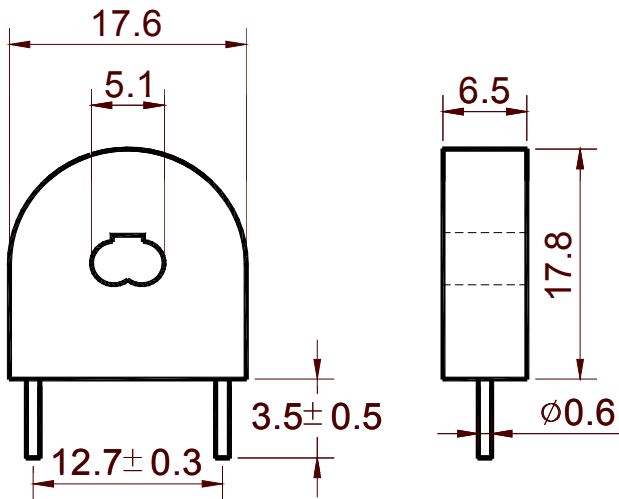


AC Current Transformer 50/60 Hz CT03-2 Series

RoHS Compliant
UL/CE-Approved

Part Number	Electrical Characteristic				Photo
	Current Ratio	Accuracy Class (%)	Turns Ratio (Np:Ns)	RL (Ω)	
CT032100 P	10A / 10mA	2	1: 1000	10	
CT032100 S	15A / 15 mA	3	1: 1000	10	

Mechanical Dimensions in mm



Test Circuit:

