


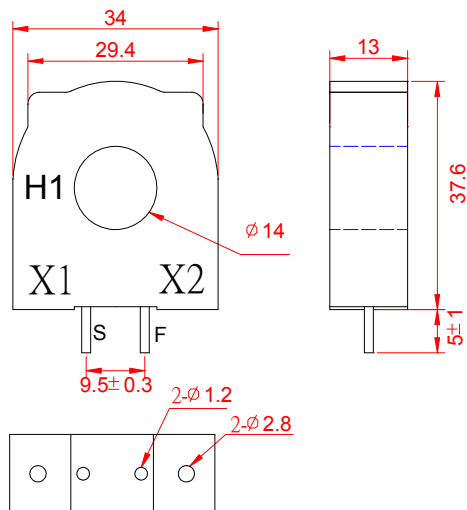
AC Current Transformer 50/60 Hz

CT04-3 Series

RoHS Compliant
UL/CE- Approved

Part Number	Electrical Characteristic				Photo
	Current Ratio	Accuracy Class (%)	Turns Ratio (Np:Ns)	RL (Ω)	
CT043040 PT/L	10A / 25mA	1	1: 400	10	
CT043080 PT/L	20A / 25mA	0.5	1: 800	10	
CT043100 PT/L	30A / 30mA	0.2	1: 1000	10	
CT043200 PT/L	40A / 20mA	0.2	1: 2000	10	
CT043100 AT/L	30A / 30mA	0.5	1: 1000	10	
CT043200 AT/L	40A / 20mA	0.2	1: 2000	10	
CT043200 ST/L	50A / 25mA	1	1: 2000	10	
CT043040 ST/L	20A / 50mA	3	1: 400	10	
CT043080 ST/L	40A / 50mA	3	1: 800	10	
CT043100 ST/L	50A / 50mA	1	1: 1000	10	

Mechanical Dimensions in mm



Test Circuit

