


AC Current Transformer 50/60 Hz

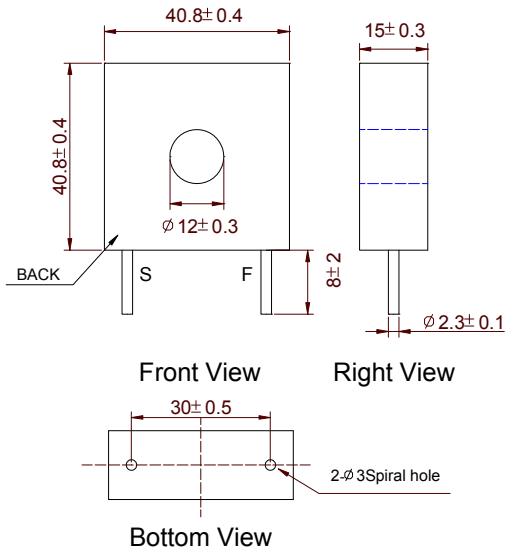
CT04-4 Series

RoHS Compliant

UL/CE- Approved

Part Number	Electrical Characteristic				Photo
	Current Ratio	Accuracy Class (%)	Turns Ratio (Np:Ns)	RL (Ω)	
CT044040 ST	50A / 125mA	3	1: 400	10	
CT044080 ST	80A / 100mA	3	1: 800	10	
CT044100 ST	100A / 100mA	3	1: 1000	10	
CT044200 ST	150A / 75mA	0.5	1: 2000	10	
CT044040 PT	20A / 50mA	1	1: 400	10	
CT044080 PT	40A / 50mA	0.5	1: 800	10	
CT044100 PT	60A / 60mA	0.2	1: 1000	10	
CT044200 PT	100A / 50mA	0.2	1: 2000	10	
CT044100 AT	60A / 60mA	0.2	1: 1000	10	
CT044200 AT	100A / 50mA	0.2	1: 2000	10	

Mechanical Dimensions in mm



Test Circuit

