


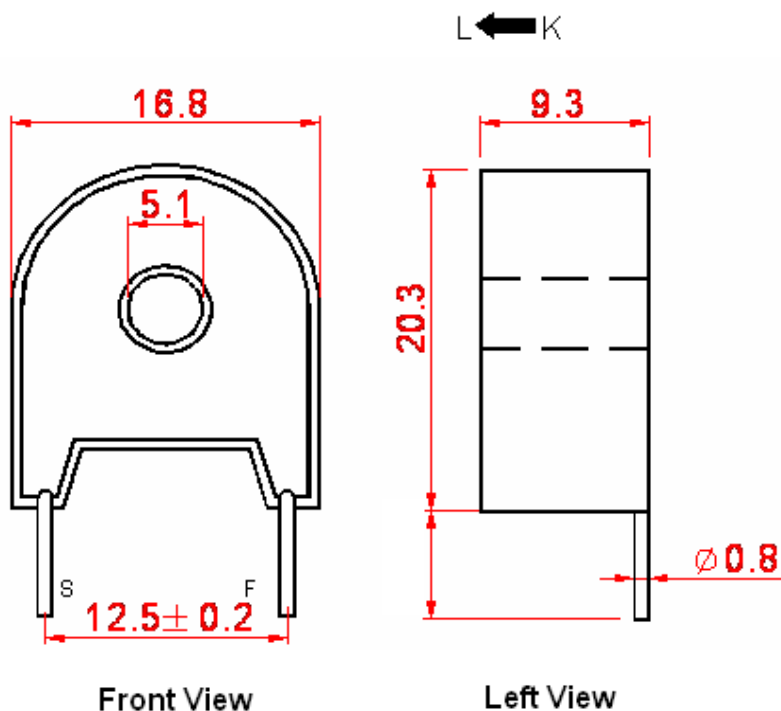
AC Current Transformer 50/60 Hz

CT05-2 Series

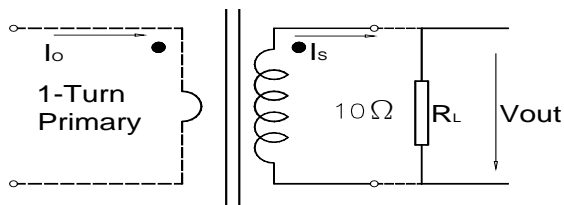
RoHS Compliant
 CE/UL- Approved

| Part Number | Electrical Characteristic | | | | Photo |
|-------------|---------------------------|--------------------|---------------------|-----------------|---|
| | Current Ratio | Accuracy Class (%) | Turns Ratio (Np:Ns) | RL (Ω) | |
| CT052050 S | 6A / 12mA | 5 | 1: 500 | 10 |  |
| CT052080 S | 10A / 12.5mA | 3 | 1: 800 | 10 | |
| CT052100 S | 10A / 10mA | 3 | 1: 1000 | 10 | |
| CT052080 P | 5A / 6.25mA | 1 | 1: 800 | 10 | |
| CT052100 A | 10A / 10mA | 0.5 | 1: 1000 | 10 | |

Mechanical Dimensions in mm



Test Circuit



AC Current Transformer 50/60 Hz

CT05-2 Series

RoHS Compliant

CE/UL- Approved

