


AC Current Transformer 50/60 Hz

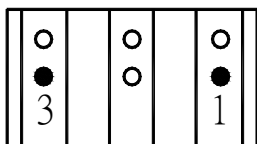
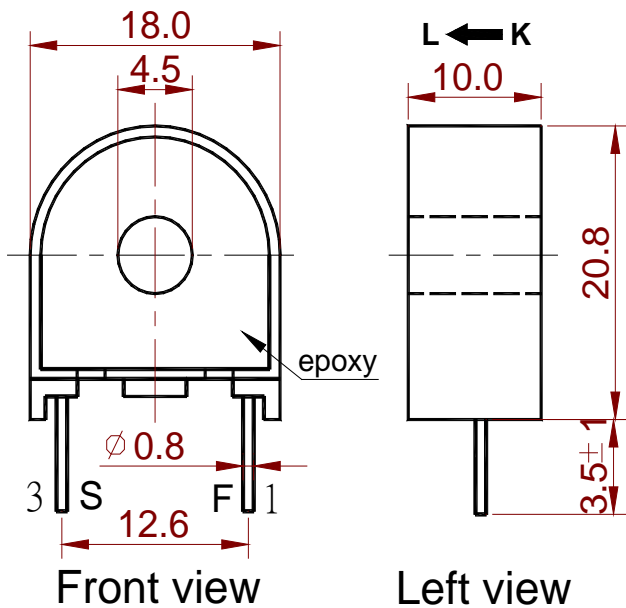
CT05-5 Series

RoHS Compliant

CE/UL- Approved

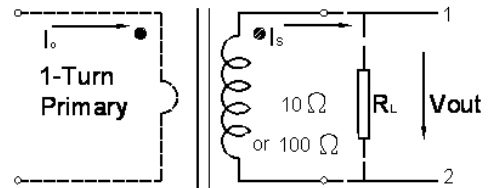
Part Number	Electrical Characteristic				Photo
	Current Ratio	Accuracy Class (%)	Turns Ratio (Np:Ns)	RL (Ω)	
CT055100 S	10A / 10mA	3	1: 1000	100	
CT055100 A	5A / 5mA	3	1: 1000	10	
CT055100 P	5A / 5mA	3	1: 1000	10	
CT055150 A	6A / 4mA	1	1: 1500	10	

Mechanical Dimensions in mm



Bottom view

Test Circuit



AC Current Transformer 50/60 Hz

CT05-5 Series

RoHS Compliant

CE/UL- Approved

