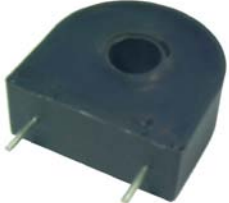


AC Current Transformer 50/60 Hz

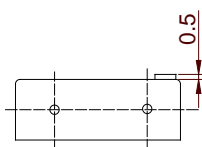
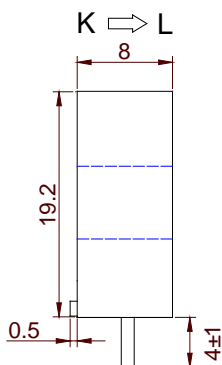
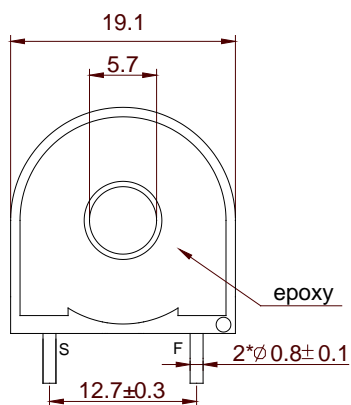
CT05-7 Series

RoHS Compliant

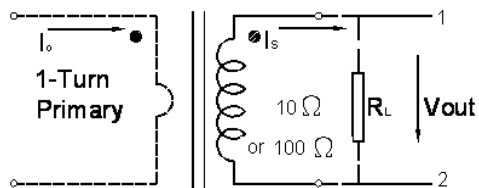
CE/UL- Approved

Part Number	Electrical Characteristic				Photo
	Current Ratio	Accuracy Class (%)	Turns Ratio (Np:Ns)	RL (Ω)	
CT057150 S	15A / 10mA	3	1: 1500	10	
CT057150 P	10A / 6.66mA	3	1: 1500	10	
CT057200 S	10A / 5mA	3	1: 2000	100	
CT057200 P	5A / 2.5mA	0.2	1: 2000	100	

Mechanical Dimensions in mm



Test Circuit



AC Current Transformer 50/60 Hz

CT05-7 Series

RoHS Compliant

CE/UL- Approved

