


AC Current Transformer 50/60 Hz

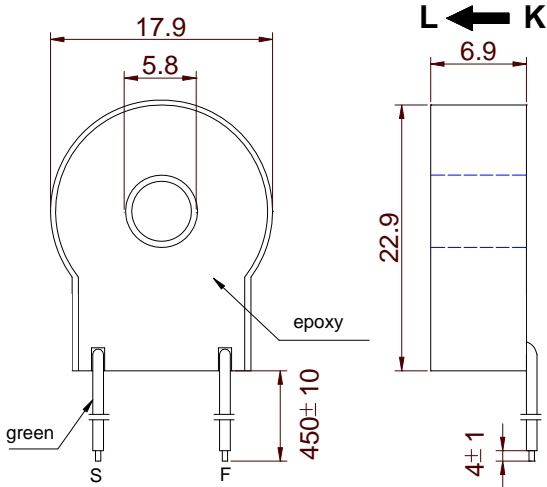
CT06-1 Series

RoHS Compliant

UL- Approved

Part Number	Electrical Characteristic				Photo
	Current Ratio	Accuracy Class (%)	Turns Ratio (Np:Ns)	RL (Ω)	
CT061100 P	6A / 6mA	3	1: 1000	100	
CT061100 A	6A / 6mA	3	1: 1000	100	
CT061100 S	10A / 10mA	5	1: 1000	100	

Mechanical Dimensions in mm



Test Circuit:

