


AC Current Transformers 50/60Hz

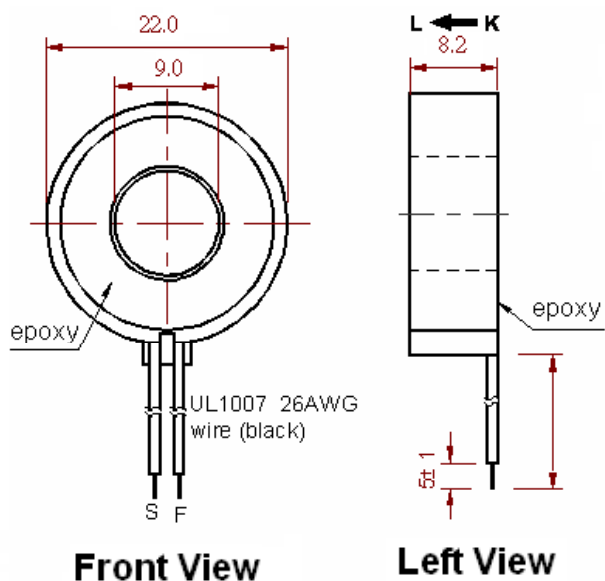
CT09-1 Series

RoHS Compliant

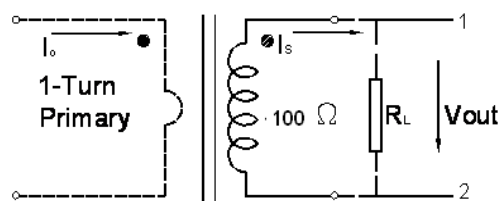
CE/UL- Approved

Part Number	Electrical Characteristic				Photo
	Current Ratio	Accuracy Class (%)	Turns Ratio (Np:Ns)	RL (Ω)	
CT091100P	5A / 5mA	1	1: 1000	100	
CT091150P	7A / 4.6mA	1	1: 1500	100	
CT091200P	10A / 5mA	1	1: 2000	100	
CT091100S	20A / 20mA	3	1: 1000	10	
CT091150S	15A / 10mA	3	1: 1500	100	
CT091200S	35A / 17.5mA	3	1: 2000	100	
CT091250S	35A / 14mA	3	1: 2500	100	

Mechanical Dimensions in mm



Test Circuit



AC Current Transformers 50/60Hz

CT09-1 Series

RoHS Compliant

CE/UL- Approved

