


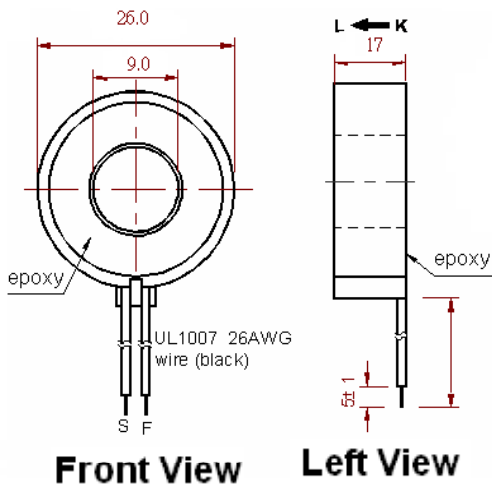
AC Current Transformers 50/60Hz

CT09-6 Series

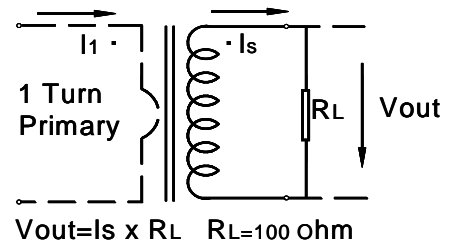
RoHS Compliant
 CE/UL- Approved

Part Number	Electrical Characteristic				Photo
	Current Ratio	Accuracy Class (%)	Turns Ratio (Np:Ns)	RL (Ω)	
CT096100P	25A/ 25mA	0.5	1: 1000	100	
CT096150P	30A/ 20mA	0.5	1: 1500	100	
CT096200P	30A/ 15mA	0.2	1: 2000	100	
CT096250P	50A/ 20mA	0.2	1: 2500	100	
CT096100S	30A/ 30mA	3	1: 1000	100	
CT096150S	40A/ 26.6mA	1	1: 1500	100	
CT096200S	50A/ 25mA	1	1: 2000	100	
CT096250S	75A/ 30mA	1	1: 2500	100	

Mechanical Dimensions in mm



Test Circuit



AC Current Transformers 50/60Hz

CT09-6 Series

RoHS Compliant

CE/UL- Approved

