
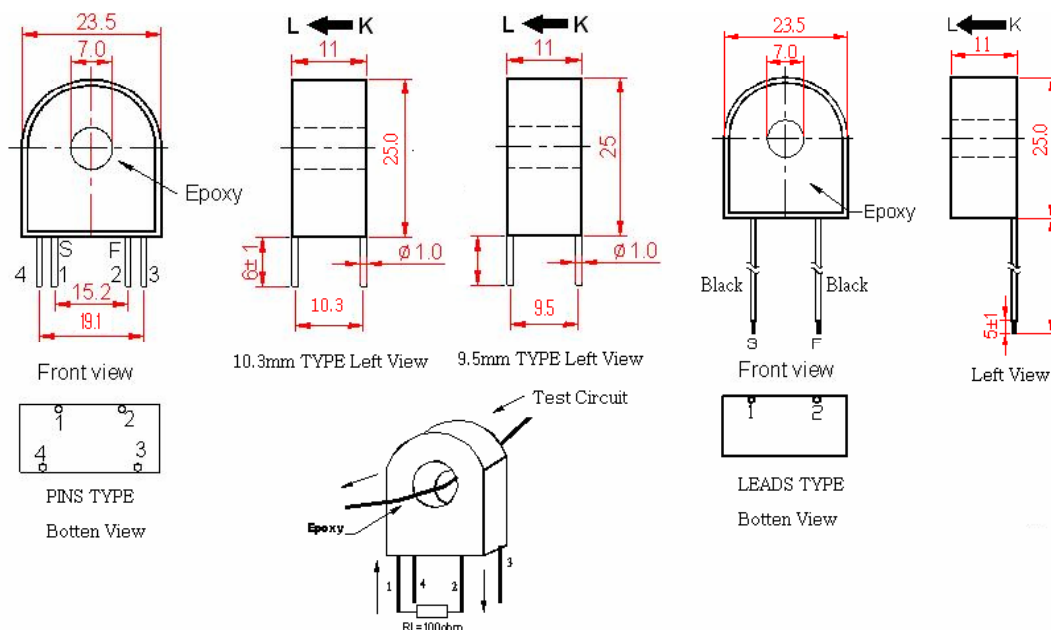


AC Current Transformers 50/60Hz
CT10-1 Series

RoHS Compliant
CE/UL- Approved

Part Number	Electrical Characteristic				Photo
	Current Ratio	Accuracy Class (%)	Turns Ratio (Np:Ns)	RL (Ω)	
CT101100 P	10A / 10mA	0.5	1: 1000	10	
CT101150 P	5A / 3.33mA	0.5	1: 1500	100	
CT101200 P	5A / 2.5mA	0.5	1: 2000	100	
CT101250 P	5A / 2mA	0.2	1: 2500	100	
CT101100 A	10A / 10mA	0.5	1: 1000	10	
CT101150 A	5A / 3.33mA	0.5	1: 1500	100	
CT101200 A	5A / 2.5mA	0.5	1: 2000	100	
CT101250 A	5A / 2mA	0.2	1: 2500	100	
CT101100 S	10A / 10mA	3	1: 1000	100	
CT101150 S	20A / 13.3mA	3	1: 1500	100	
CT101200 S	20A / 10mA	1	1: 2000	100	
CT101250 S	20A / 8mA	1	1: 2500	100	

Mechanical Dimensions in mm



AC Current Transformers 50/60Hz
 CT10-1 Series

RoHS Compliant
 CE/UL- Approved

