
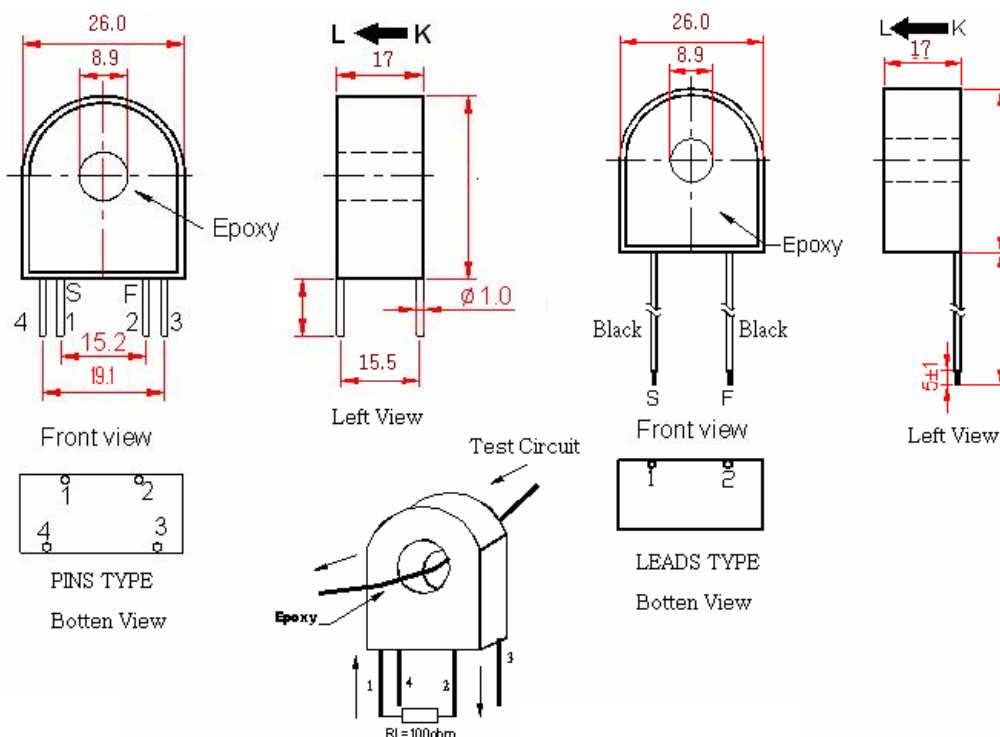


AC Current Transformers 50/60Hz
CT10-2 Series

RoHS Compliant
CE/UL- Approved

Part Number	Electrical Characteristic				Photo
	Current Ratio	Accuracy Class (%)	Turns Ratio (Np:Ns)	RL (Ω)	
CT102100 P	10A / 10mA	0.2	1: 1000	10	
CT102150 P	10A / 6.66mA	0.2	1: 1500	100	
CT102200 P	30A / 15mA	0.2	1: 2000	100	
CT102250 P	50A / 20mA	0.1	1: 2500	100	
CT102100 A	10A / 10mA	0.2	1: 1000	10	
CT102150 A	10A / 6.66mA	0.2	1: 1500	100	
CT102200 A	30A / 15mA	0.2	1: 2000	100	
CT102250 A	50A / 20mA	0.1	1: 2500	100	
CT102100 S	10A / 10mA	2	1: 1000	100	
CT102150 S	10A / 6.66mA	1	1: 1500	100	
CT102200 S	30A / 15mA	1	1: 2000	100	
CT102250 S	50A / 20mA	0.5	1: 2500	100	

Mechanical Dimensions in mm



AC Current Transformers 50/60Hz
 CT10-2 Series

RoHS Compliant
 CE/UL- Approved

