
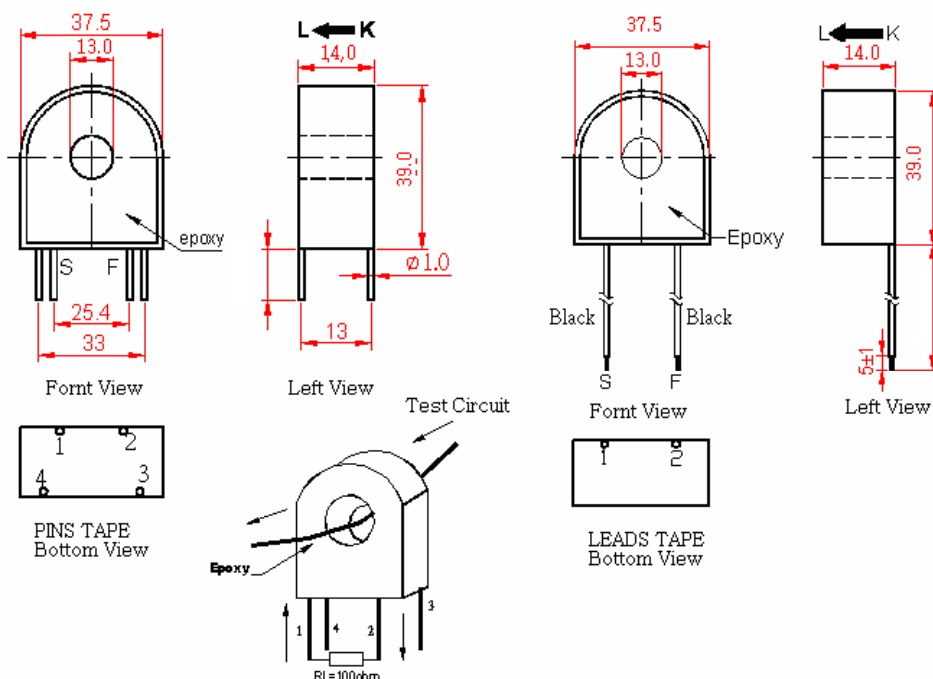


AC Current Transformers 50/60Hz
 CT10-3 Series

RoHS Compliant
 CE/UL- Approved

| Part Number | Electrical Characteristic | | | | Photo |
|-------------|---------------------------|--------------------|---------------------|--------|---|
| | Current Ratio | Accuracy Class (%) | Turns Ratio (Np:Ns) | RL (Ω) | |
| CT103100 P | 20A / 20mA | 0.1&0.2 | 1: 1000 | 10 |  |
| CT103150 P | 30A / 20mA | 0.1&0.2 | 1: 1500 | 100 | |
| CT103200 P | 50A / 25mA | 0.1&0.2 | 1: 2000 | 100 | |
| CT103250 P | 60A / 24mA | 0.1&0.2 | 1: 2500 | 100 | |
| CT103100 A | 20A / 20mA | 0.1&0.2 | 1: 1000 | 10 | |
| CT103150 A | 30A / 20mA | 0.1&0.2 | 1: 1500 | 100 | |
| CT103200 A | 60A / 30mA | 0.1&0.2 | 1: 2000 | 100 | |
| CT103250 A | 60A / 24mA | 0.1&0.2 | 1: 2500 | 100 | |
| CT103100 S | 30A / 30mA | 1 | 1: 1000 | 10 | |
| CT103150 S | 40A / 26.6mA | 0.5 | 1: 1500 | 100 | |
| CT103200 S | 50A / 25mA | 0.5 | 1: 2000 | 100 | |
| CT103250 S | 100A / 40mA | 0.5 | 1: 2500 | 100 | |

Mechanical Dimensions in mm



AC Current Transformers 50/60Hz CT10-3 Series

RoHS Compliant
 CE/UL- Approved

