
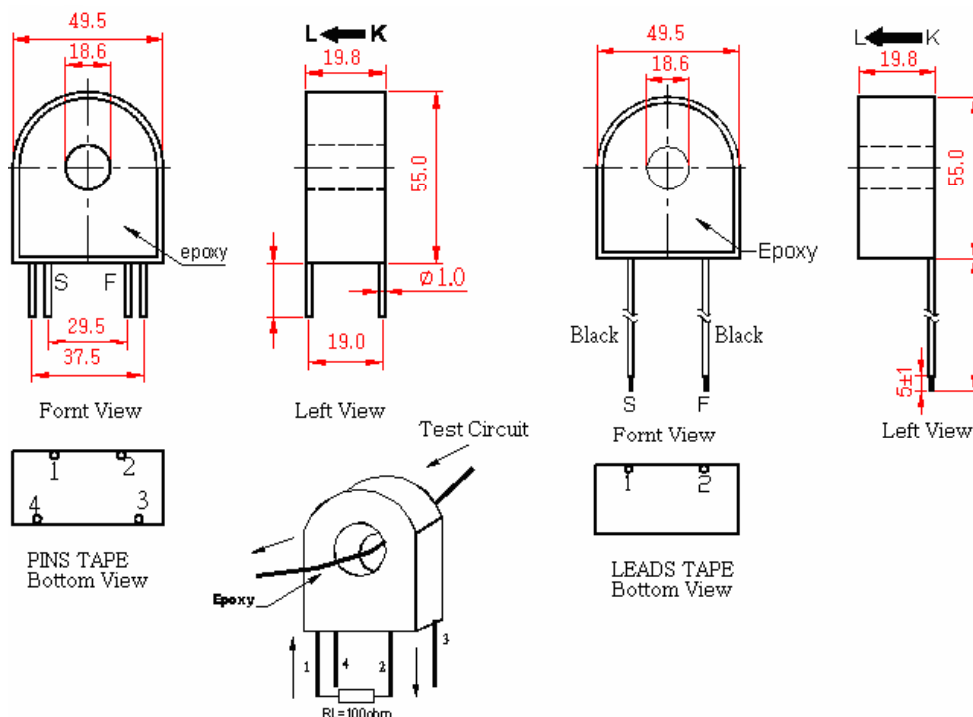


AC Current Transformers 50/60Hz CT10-4 Series

RoHS Compliant
 CE/UL- Approved

Part Number	Electrical Characteristic				Photo
	Current Ratio	Accuracy Class (%)	Turns Ratio (Np:Ns)	RL (Ω)	
CT104100 P	100A / 100mA	0.1&0.2	1: 1000	10	
CT104200 P	100A / 50mA	0.1&0.2	1: 2000	100	
CT104250 P	120A / 48mA	0.1&0.2	1: 2500	100	
CT104100 A	100A / 100mA	0.1&0.2	1: 1000	10	
CT104200 A	100A / 50mA	0.1&0.2	1: 2000	100	
CT104250 A	120A / 48mA	0.1&0.2	1: 2500	100	
CT104100 S	100A / 100mA	0.5	1: 1000	100	
CT104200 S	100A / 50mA	0.5	1: 2000	100	
CT104250 S	120A / 48mA	0.5	1: 2500	100	

Mechanical Dimensions in mm



AC Current Transformers 50/60Hz
 CT10-4 Series

RoHS Compliant
 CE/UL- Approved

