
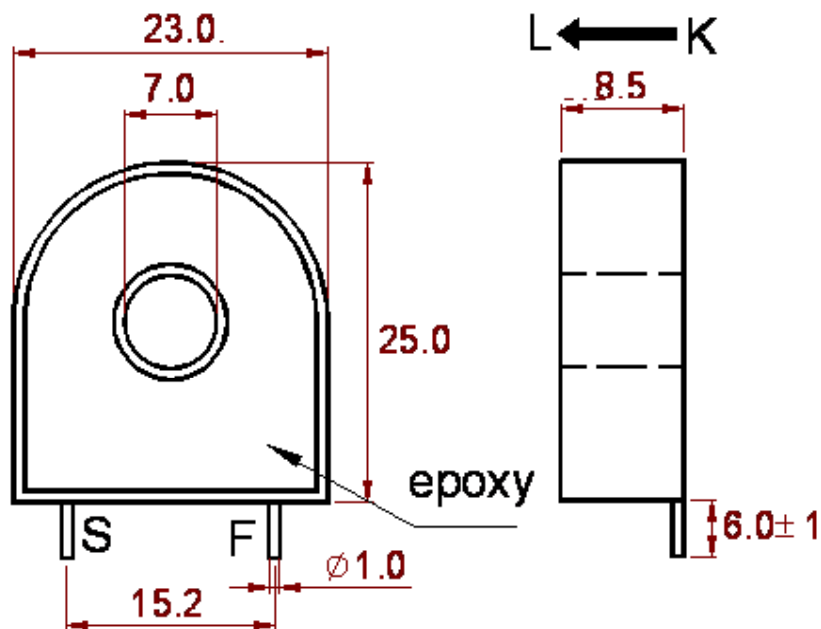


AC Current Transformer 50/60 Hz  
 CT14-1 Series

RoHS Compliant  
 CE/UL- Approved

Part Number	Electrical Characteristic				Photo
	Current Ratio	Accuracy Class (%)	Turns Ratio (Np:Ns)	RL (Ω)	
CT141130 P	3A / 2.3mA	0.2	1: 1300	100	
CT141100 A	2A / 2mA	0.2	1: 1000	100	
CT141130 A	3A / 2.3mA	0.2	1: 1300	100	
CT141130 S	40A / 30.7mA	3	1: 1300	10	

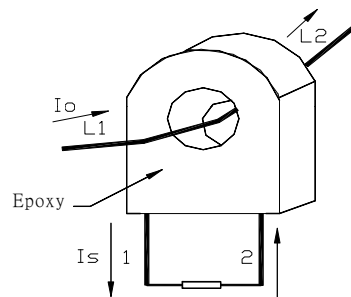
Mechanical Dimensions in mm



Front View

Left View

Test Circuit:



AC Current Transformer 50/60 Hz  
 CT14-1 Series

RoHS Compliant

CE/UL- Approved

