


AC Current Transformer 50/60 Hz

CT15-1 Series

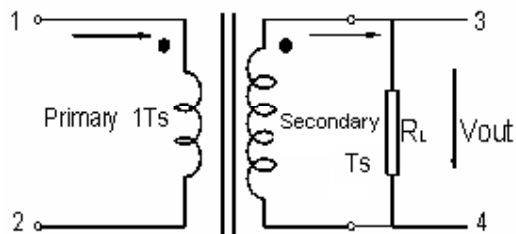
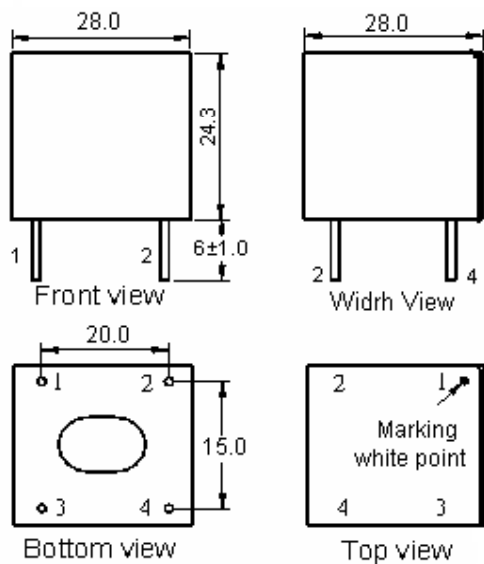
RoHS Compliant

CE/UL- Approved

Part Number	Electrical Characteristic				Photo
	Current Ratio	Accuracy Class	Turns Ratio (Np:Ns)	RL (Ω)	
CT151100P	5A / 5mA	0.5	1: 1000	100	
CT151200 P	10A / 5mA	0.1	1: 2000	100	
CT151100 A	5A / 5mA	0.5	1: 1000	100	
CT151200 A	10A / 5mA	0.1	1: 2000	100	
CT151100 S	10A / 10mA	3	1: 1000	100	
CT151200 S	15A / 7.5mA	2	1: 2000	100	

Mechanical Dimensions in mm

Test circuit



The Pin1-2:Φ1.4

Pin3-4:Φ1.0



Thousand Hundred Industrial Co., Ltd

AC Current Transformer 50/60 Hz

thic@thic.net

CT15-1 Series

RoHS Compliant

CE/UL- Approved

