


## AC Current Transformer 50/60 Hz

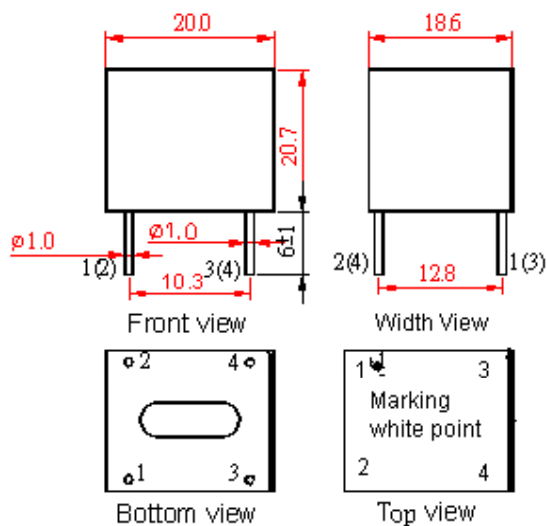
### CT15-6 Series

RoHS Compliant

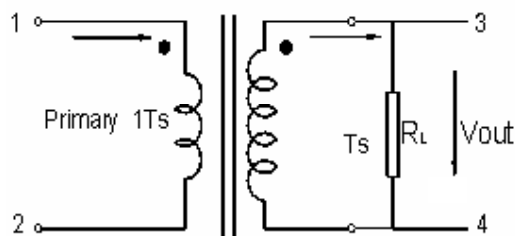
CE/UL- Approved

Part Number	Electrical Characteristic				Photo
	Current Ratio	Accuracy Class (%)	Turns Ratio (Np:Ns)	RL (Ω)	
CT156100 P	15A / 15mA	0.2	1: 1000	10	
CT156200 P	15A / 7.5mA	0.5	1: 2000	100	
CT156100 A	15A / 15mA	0.2	1: 1000	10	
CT156200 A	15A / 7.5mA	0.5	1: 2000	100	
CT156100 S	10A / 10mA	1	1: 1000	100	
CT156200 S	20A / 10mA	2	1: 2000	100	

#### Mechanical Dimensions in mm



#### Test circuit



# Thousand Hundred Industrial Co., Ltd



## AC Current Transformer 50/60 Hz

thic@thic.net

### CT15-6 Series

RoHS Compliant

CE/UL- Approved

