


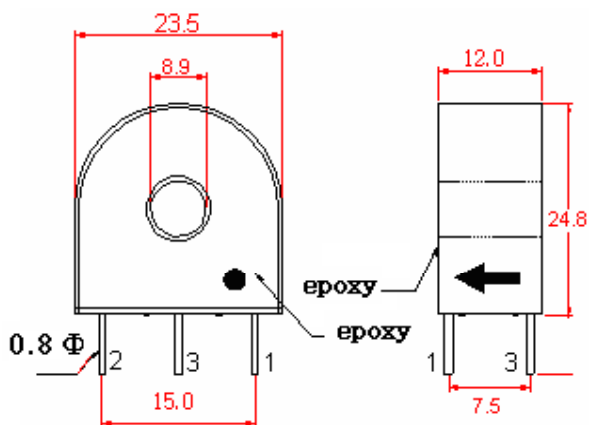
AC Current Transformers 50/60Hz CT16-1 Series

RoHS Compliant

CE/UL- Approved

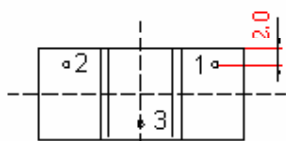
| Part Number | Electrical Characteristic | | | | Photo |
|-------------|---------------------------|--------------------|---------------------|--------|---|
| | Current Ratio | Accuracy Class (%) | Turns Ratio (Np:Ns) | RL (Ω) | |
| CT161100S | 20A / 20mA | 3 | 1: 1000 | 100 |  |
| CT161150S | 30A / 20mA | 3 | 1: 1500 | 100 | |
| CT161200S | 60A / 30mA | 1 | 1: 2000 | 100 | |
| CT161250S | 75A / 30mA | 0.5 | 1: 2500 | 100 | |

Mechanical Dimensions in mm



Front View

Left View



Bottom View

Test Circuit

