
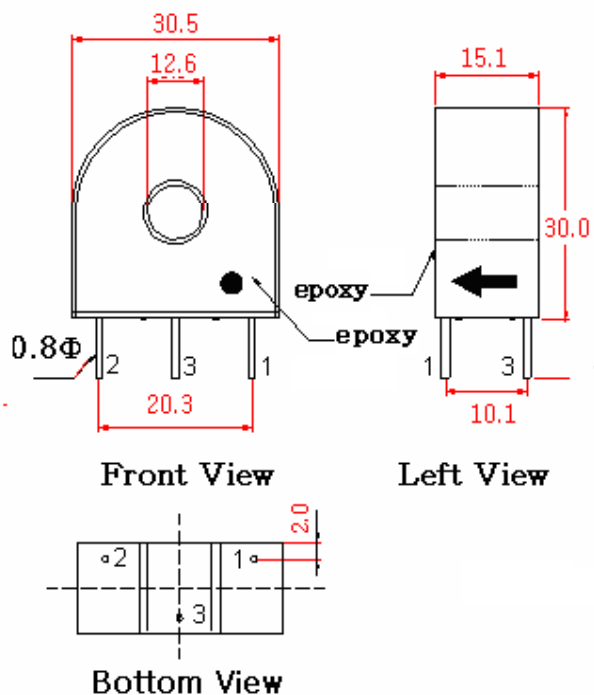


AC Current Transformers 50/60Hz CT16-2 Series

RoHS Compliant
 CE/UL- Approved

Part Number	Electrical Characteristic				Photo
	Current Ratio	Accuracy Class (%)	Turns Ratio (Np:Ns)	RL (Ω)	
CT162100S	40A / 40mA	3	1: 1000	100	
CT162150S	75A / 50mA	3	1: 1500	100	
CT162200S	80A / 40mA	0.5	1: 2000	100	
CT162250S	100A / 40mA	0.5	1: 2500	100	

Mechanical Dimensions in mm



Test Circuit

