

AC Potential Transformer 50/60 Hz PT011 Series Series

RoHS Compliant
 CE/UL- Approved

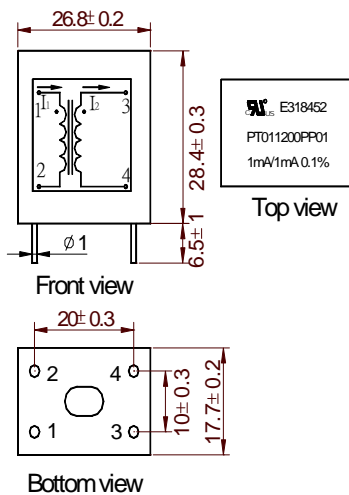
● **Electrical Specification**

Series	Model	Rated Primary Voltage V1 (V)	Rated current ratio of the current transformer Is(mA)	Accuracy (%)	Burden RL(Ω)	Primary Insulation
PT011	PT011200 PP	100 , 100√3 , 150 , 220 , 380 , 400 , 480	1mA/1mA(2mA/2mA)	0.1	100	2500V/1mA/1min/AC
	PT011200 AP	100 , 100√3 , 150 , 220 , 380 , 400 , 480	1mA/1mA(2mA/2mA)	0.1	100	2500V/1mA/1min/AC
	PT011200 PL	100 , 100√3 , 150 , 220 , 380 , 400 , 480	1mA/1mA(2mA/2mA)	0.1	100	2500V/1mA/1min/AC
	PT011200 AL	100 , 100√3 , 150 , 220 , 380 , 400 , 480	1mA/1mA(2mA/2mA)	0.1	100	2500V/1mA/1min/AC

Note:

PL	P: Stands for Permalloy Core	L: Secondary terminal
AL	A: Stands for Amorphouse Core	L: Secondary terminal

● **Mechanical Dimensions in mm**



● **Test circuit**

