

AC Potential Transformer 50/60 Hz PT012 Series Series

RoHS Compliant

CE/UL- Approved

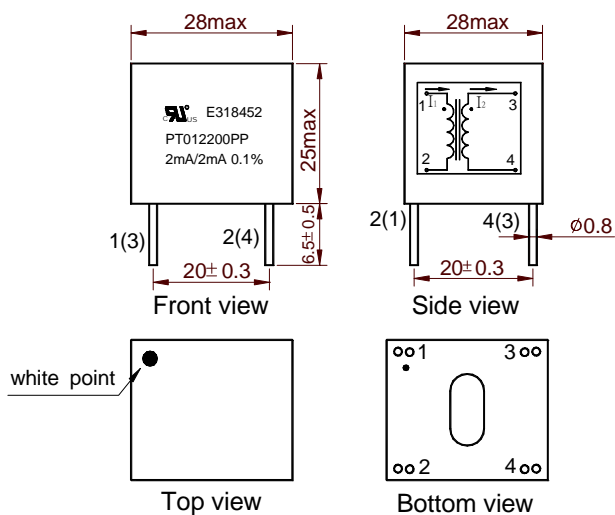
• Electrical Specification

Series	Model	Rated Primary Voltage V1 (V) I _o (A)	Rated current ratio of the current transformer I _s (mA)	Accuracy (%)	Burden R _L (Ω)	primary insulation
PT012	PT012200 PP	100 , 100√3 , 150 , 220 , 380 , 400 ,480	1mA/1mA(2mA/2mA)	0.1	100	2500V/1mA/1min/AC
	PT012200 AP	100 , 100√3 , 150 , 220 , 380 , 400 ,480	1mA/1mA(2mA/2mA)	0.1	100	2500V/1mA/1min/AC
	PT012200 PL	100 , 100√3 , 150 , 220 , 380 , 400 ,480	1mA/1mA(2mA/2mA)	0.1	100	2500V/1mA/1min/AC
	PT012200 AL	100 , 100√3 , 150 , 220 , 380 , 400 ,480	1mA/1mA(2mA/2mA)	0.1	100	2500V/1mA/1min/AC

Note:

PL	P: Stands for Permalloy Core	L: Secondary terminal
AL	A: Stands for Amorphouse Core	L: Secondary terminal

● Mechanical Dimensions in mm



● Test circuit

