


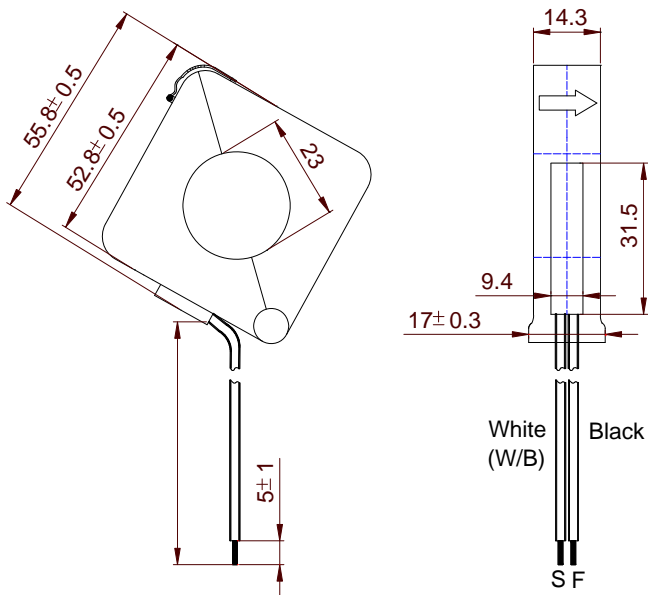
AC Current Transformer 50/60 Hz CT24-4 Series

RoHS Compliant

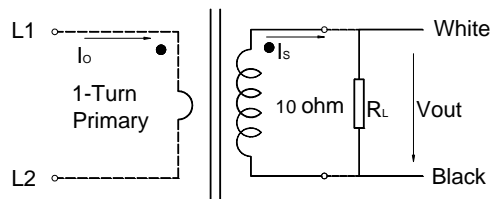
CE/UL- Approved

Part Number	Electrical Characteristic				Photo
	Current Ratio	Accuracy Class (%)	Turns Ratio (Np:Ns)	RL (Ω)	
CT24-4-100P	30A /30mA	2	1:1000	10	
CT24-4-150P	40A /26.6mA	2	1:1500	10	
CT24-4-200P	40A /20mA	2	1:2000	10	

Mechanical Dimensions in mm



Test Circuit:



AC Current Transformer 50/60 Hz CT24-4 Series

RoHS Compliant

CE/UL- Approved

