
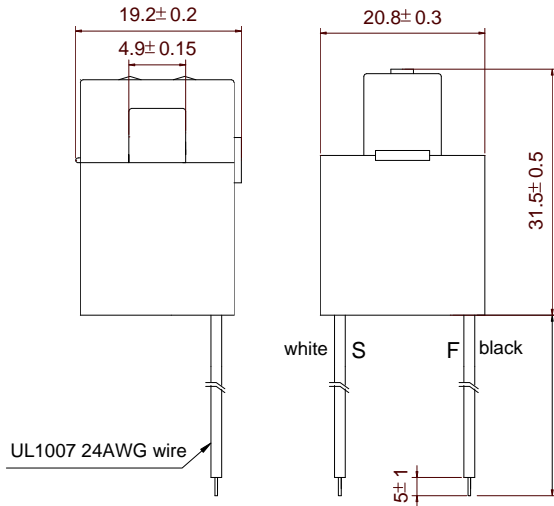


AC Current Transformer 50/60 Hz CT24-9 Series

RoHS Compliant
 CE/UL- Approved

Part Number	Electrical Characteristic				Photo
	Current Ratio	Accuracy Class (%)	Turns Ratio (Np:Ns)	RL (Ω)	
CT24-9-100M	15A /15mA	5	1:1000	10	
CT24-9-150M	15A /10mA	5	1:1500	10	
CT24-9-200M	20A /10mA	5	1:2000	10	

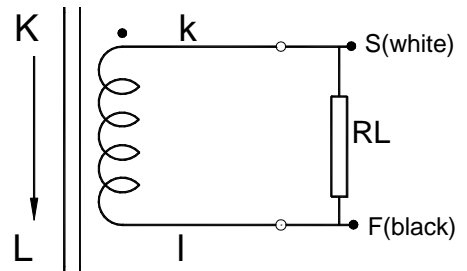
Mechanical Dimensions in mm



Front view

Side view

Test Circuit:



AC Current Transformer 50/60 Hz
 CT24-9 Series

RoHS Compliant

CE/UL- Approved

