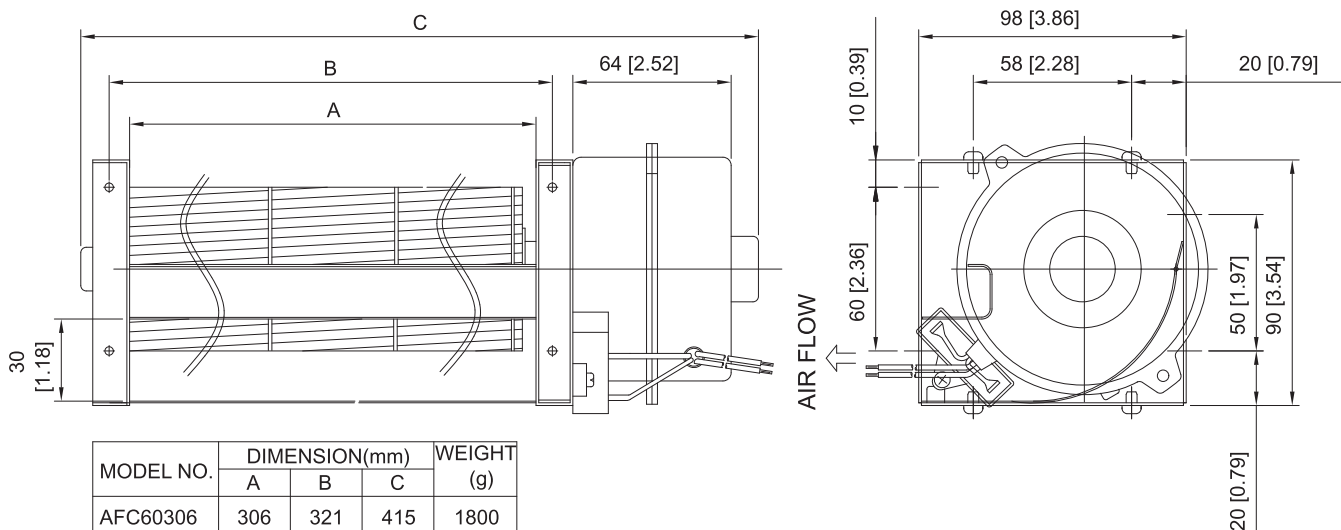


# AFC 60



HOUSING	Metal / Aluminum
IMPELLER	Aluminum, $\phi$ 60mm
BEARING	Ball
OPERATING VOLTAGE	85VAC to 125VAC for 115V Type 185VAC to 245VAC for 230V Type
DIELECTRIC STRENGTH	1,500 VAC for 1 minute
INSULATION	Class A
INSULATION RESISTANCE	10M Ohms Min. @500 VDC
OPERATING TEMPERATURE	0°C to +45°C
SAFETY	Thermally Protected
ROHS COMPLIANCE	Yes
MOTOR TYPE	Capacitor Motor

## DIMENSION



MODEL NO.	DIMENSION(mm)			WEIGHT (g)
	A	B	C	
AFC60306	306	321	415	1800
AFC60368	368	383	477	1850
AFC60429	429	444	538	1930

UNIT:mm[inch]

## SPECIFICATION

MODEL NO.	RATED VOLTAGE (V)	FREQUENCY (Hz)	RATED CURRENT (A)	INPUT POWER (W)	SPEED (RPM)	MAX. AIR PRESSURE		MAX. AIR FLOW		NOISE dB(A) @ 1M
						inchH <sub>2</sub> O	mmH <sub>2</sub> O	CFM	m <sup>3</sup> /min	
AFC60306V1H	120	60	0.33	39	2900	0.30	7.8	205	5.8	55
AFC60306V2H	230	50	0.15	31	2600	0.20	5.0	183	5.2	50
AFC60368V1H	120	60	0.35	42	2600	0.26	6.7	240	6.8	54
AFC60368V2H	230	50	0.16	34	2500	0.21	5.3	223	6.3	53
AFC60429V1H	120	60	0.39	47	2600	0.23	5.9	267	7.5	54
AFC60429V2H	230	50	0.17	36	2500	0.17	4.4	252	7.1	53

## AIR PERFORMANCE

