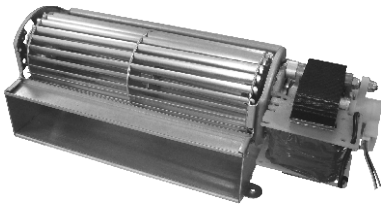
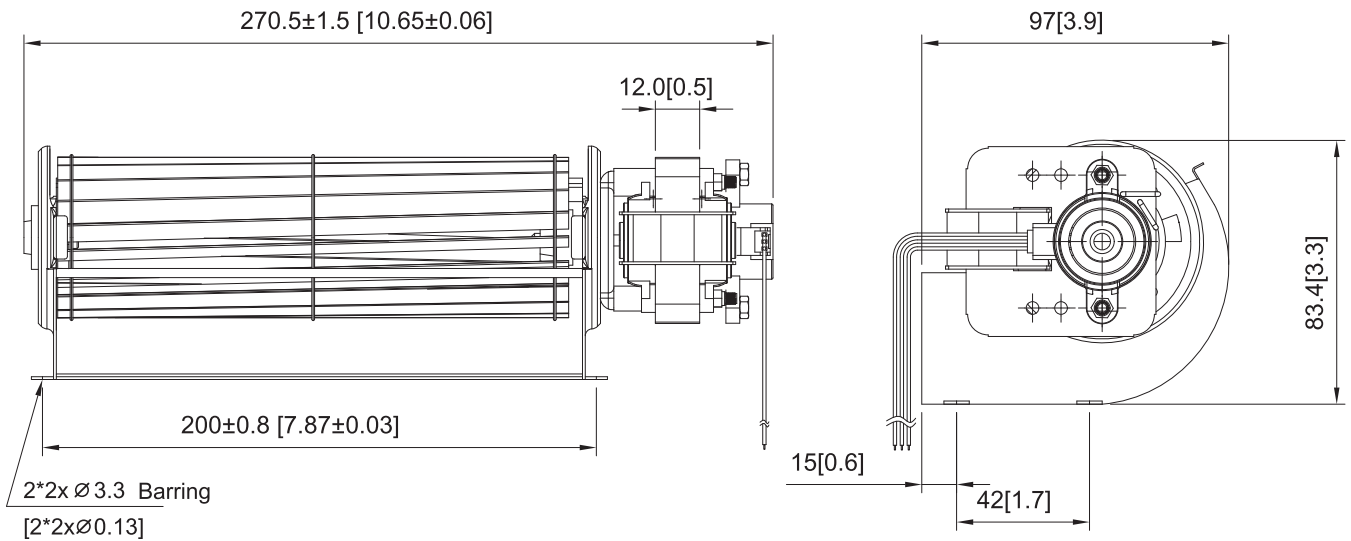


AFG 60-FG



HOUSING	Metal / Aluminum
IMPELLER	Aluminum, Ø60mm
BEARING	Ball
OPERATING VOLTAGE	85VAC to 125VAC for 115V Type 185VAC to 245VAC for 230V Type
DIELECTRIC STRENGTH	1,500 VAC for 1 minute
INSULATION	Class A
INSULATION RESISTANCE	10M Ohms Min. @500 VDC
OPERATING TEMPERATURE	0°C to + 45°C
SAFETY	Impedance Protected
WEIGHT	900g
ROHS COMPLIANCE	Yes
MOTOR TYPE	Shaded Pole Motor

DIMENSION



UNIT:mm[inch]

SPECIFICATION

MODEL NO.	RATED VOLTAGE (V)	FREQUENCY (Hz)	RATED CURRENT (A)	INPUT POWER (W)	SPEED (RPM)	MAX. AIR PRESSURE		MAX. AIR FLOW		NOISE dB(A) @ 1M
						inchH ₂ O	mmH ₂ O	CFM	m ³ /min	
AFG60200V1H-FG	115	60	0.31	18.5	1300	0.14	3.5	64	1.8	30
AFG60200V2H-FG	230	50	0.15	15.8	1300	0.11	2.7	64	1.8	30

AIR PERFORMANCE

