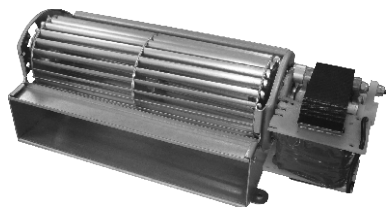
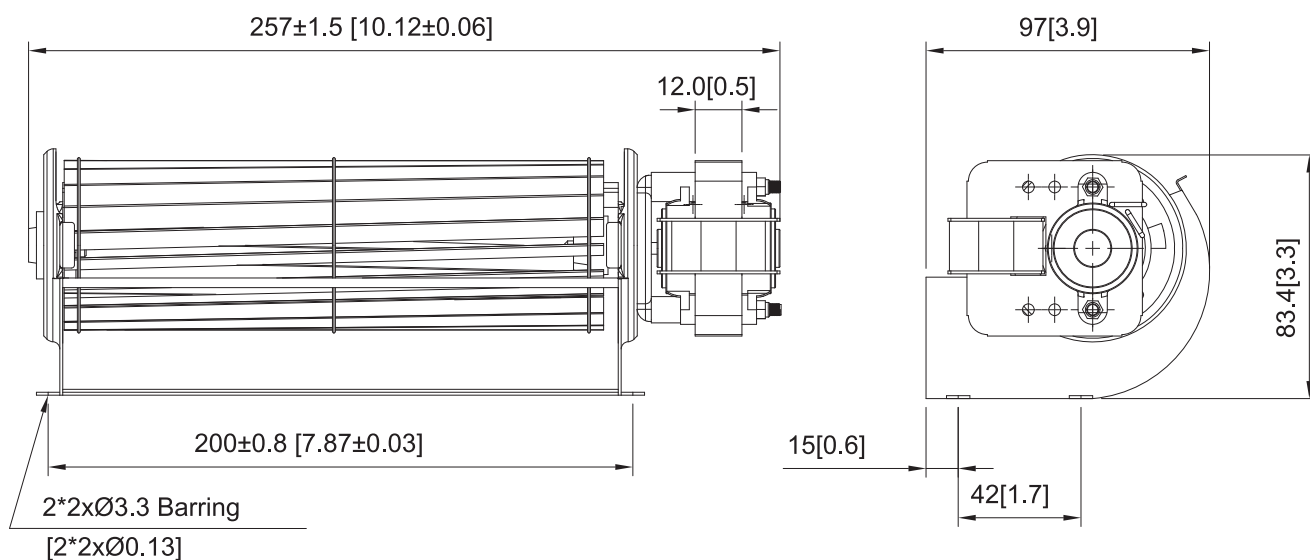


# AFG 60



HOUSING	Metal / Aluminum
IMPELLER	Aluminum, Ø60mm
BEARING	Ball
OPERATING VOLTAGE	85VAC to 125VAC for 115V Type 185VAC to 245VAC for 230V Type
DIELECTRIC STRENGTH	1,500 VAC for 1 minute
INSULATION	Class A
INSULATION RESISTANCE	10M Ohms Min.@500 VDC
OPERATING TEMPERATURE	0°C to + 45°C
SAFETY	Impedance Protected
WEIGHT	880g
ROHS COMPLIANCE	Yes
MOTOR TYPE	Shaded Pole Motor

## DIMENSION



UNIT:mm[inch]

## SPECIFICATION

MODEL NO.	RATED VOLTAGE (V)	FREQUENCY (Hz)	RATED CURRENT (A)	INPUT POWER (W)	SPEED (RPM)	MAX. AIR PRESSURE		MAX. AIR FLOW		NOISE dB(A) @ 1M
						inchH <sub>2</sub> O	mmH <sub>2</sub> O	CFM	m <sup>3</sup> /min	
AFG60200V1H	115	60	0.31	18.5	1300	0.14	3.5	64	1.8	30
AFG60200V2H	230	50	0.15	15.8	1300	0.11	2.7	64	1.8	30

## AIR PERFORMANCE

