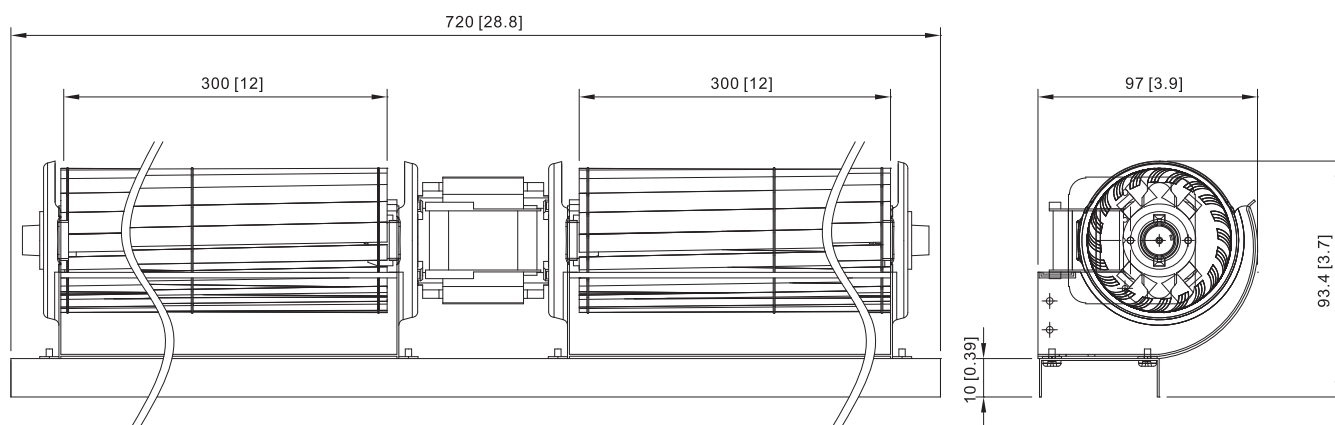


AFG 60600



HOUSING	Metal / Aluminum
IMPELLER	Aluminum, Ø 60 mm
BEARING	Sleeve
OPERATING TEMPERATURE	85VAC to 125VAC for 115V Type 185VAC to 245VAC FOR 230V Type
DIELECTRIC STRENGTH	1,500VAC for 1 minute
INSULATION	Class A
INSULATION RESISTANCE	10M Ohms Min. @500 VDC
OPERATING TEMPERATURE	0°C to + 45°C
SAFETY	Impedance Protected
WEIGHT	2800g
ROHS COMPLIANCE	Yes
MOTOR TYPE	Shaded Pole Motor

DIMENSION



UNIT:mm[inch]

SPECIFICATION

MODEL NO.	RATED VOLTAGE(V)	FREQUENCY (Hz)	RATED CURRENT(A)	INPUT POWER (W)	SPEED (RPM)	MAX. AIR PRESSURE		MAX. AIR FLOW		NOISE dB(A)@ 1M
						inchH ₂ O	mmH ₂ O	CFM	m ³ /min	
AFG60600V2HS	230	50	0.50	56	1400	0.19	4.8	234	6.6	43

AIR PERFORMANCE

