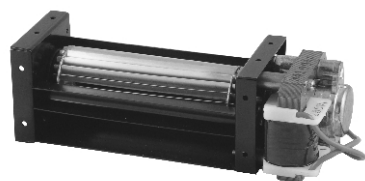


AFS 30

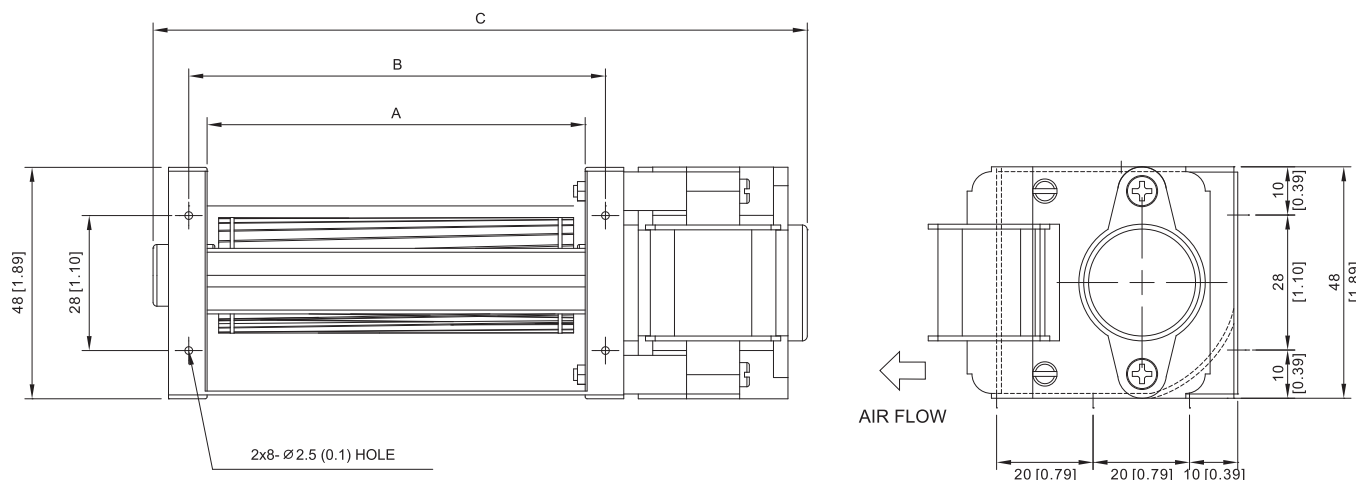


HOUSING
IMPELLER
BEARING
OPERATING TEMPERATURE

Metal / Aluminum
Aluminum, 30 mm
Ball or Sleeve
85VAC to 125VAC for 115V Type
185VAC to 245VAC FOR 230V Type
1,500VAC for 1 minute
Class A
10M Ohms Min. @500 VDC
0°C to +45°C
Impedance Protected
Yes
Shaded Pole Motor

DIELECTRIC STRENGTH
INSULATION
INSULATION RESISTANCE
OPERATING TEMPERATURE
SAFETY
ROHS COMPLIANCE
MOTOR TYPE

DIMENSION



MODEL NO.	DIMENSION(mm)			WEIGHT (g)
	A	B	C	
AFS30098	98	108	154	390
AFS30160	160	170	222	520
AFS30198	198	208	260	540
AFS30300	300	310	366	670

UNIT:mm[inch]

SPECIFICATION

MODEL NO.	RATED VOLTAGE(V)	FREQUENCY (Hz)	RATED CURRENT(A)	INPUT POWER (W)	SPEED (RPM)	MAX. AIR PRESSURE		MAX. AIR FLOW		NOISE dB(A)@ 1M
						inchH ₂ O	mmH ₂ O	CFM	m ³ /min	
AFS30098V1H	120	60	0.09	7	2900	0.04	1.1	17	0.5	24
AFS30098V2H	230	50	0.07	8	2500	0.03	0.8	14	0.4	21
AFS30160V1H	120	60	0.12	8	3100	0.05	1.2	28	0.8	30
AFS30160V2H	230	50	0.09	10	2700	0.04	0.9	24	0.7	27
AFS30198V1H	120	60	0.12	8	3100	0.05	1.3	35	1.0	30
AFS30198V2H	230	50	0.09	11	2700	0.04	1.0	32	0.9	27
AFS30300V1H	120	60	0.17	13	3100	0.07	1.7	60	1.7	34
AFS30300V1H	230	50	0.09	12	2700	0.06	1.4	53	1.5	32

AIR PERFORMANCE

