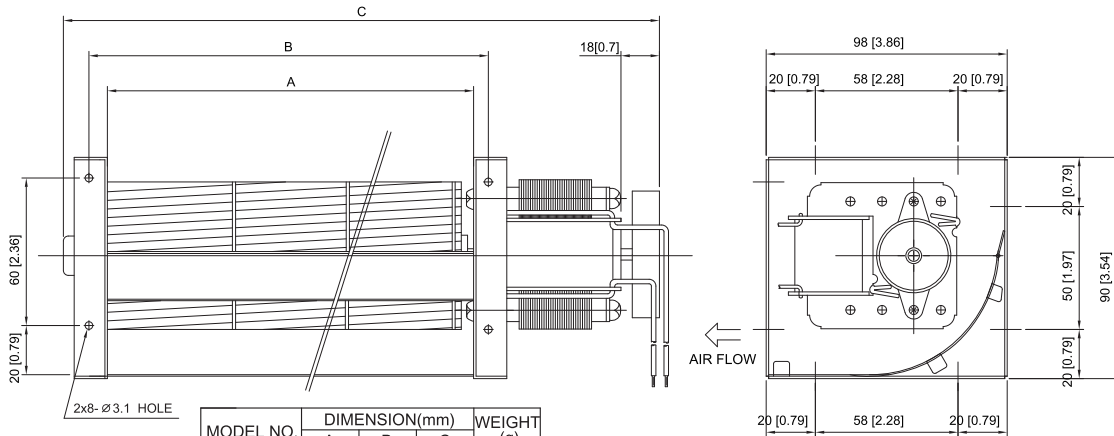


# AFS 60



**HOUSING** Metal / Aluminum  
**IMPELLER** Aluminum,  $\varnothing 60$  mm  
**BEARING** Ball or Sleeve  
**OPERATING TEMPERATURE** 85VAC to 125VAC for 115V Type  
 185VAC to 245VAC FOR 230V Type  
**DIELECTRIC STRENGTH** 1,500VAC for 1 minute  
**INSULATION** Class A  
**INSULATION RESISTANCE** 10M Ohms Min. @500 VDC  
**OPERATING TEMPERATURE** 0°C to +45°C  
**SAFETY** Impedance Protected  
**ROHS COMPLIANCE** Yes  
**MOTOR TYPE** Shaded Pole Motor

## DIMENSION



MODEL NO.	DIMENSION(mm)			WEIGHT (g)
	A	B	C	
AFS60184H	184	199	280	1350
AFS60184L	184	199	275	1200
AFS60245H	245	260	341	1500
AFS60245L	245	260	341	1400
AFS60306	306	321	402	1500
AFS60368	368	383	464	1600
AFS60429	429	444	525	1650

UNIT:mm[inch]

## SPECIFICATION

MODEL NO.	RATED VOLTAGE(V)	FREQUENCY (Hz)	RATED CURRENT(A)	INPUT POWER (W)	SPEED (RPM)	MAX. AIR PRESSURE		MAX. AIR FLOW		NOISE dB(A)@ 1M
						inchH <sub>2</sub> O	mmH <sub>2</sub> O	CFM	m <sup>3</sup> /min	
AFS60184V1H	120	60	0.55	37	2500	0.29	7.3	106	3.0	47
AFS60184V1L	120	60	0.33	23	1700	0.15	3.8	63	1.8	41
AFS60184V2H	230	50	0.27	34	2500	0.21	5.4	106	3.0	47
AFS60184V2L	230	50	0.17	23	2000	0.15	3.7	88	2.5	43
AFS60245V1H	120	60	0.60	42	2000	0.20	5.1	106	3.0	44
AFS60245V1L	120	60	0.42	31	1900	0.19	4.9	102	2.9	39
AFS60245V2H	230	50	0.27	35	2200	0.18	4.6	133	3.8	46
AFS60245V2L	230	50	0.23	31	2000	0.15	3.9	118	3.3	46
AFS60306V1H	120	60	0.63	42	1900	0.19	4.7	114	3.2	44
AFS60306V2H	230	50	0.28	36	2200	0.18	4.6	154	4.4	46
AFS60368V1H	120	60	0.64	43	1700	0.12	3.0	133	3.8	40
AFS60368V2H	230	50	0.30	38	2000	0.17	4.2	167	4.7	46
AFS60429V1H	120	60	0.64	44	1600	0.09	2.2	139	3.9	40
AFS60429V2H	230	50	0.31	40	1800	0.13	3.3	180	5.1	45

## AIR PERFORMANCE

