

# AB 13263



132x138x124.1mm  
(5.2"x5.52"x4.96")

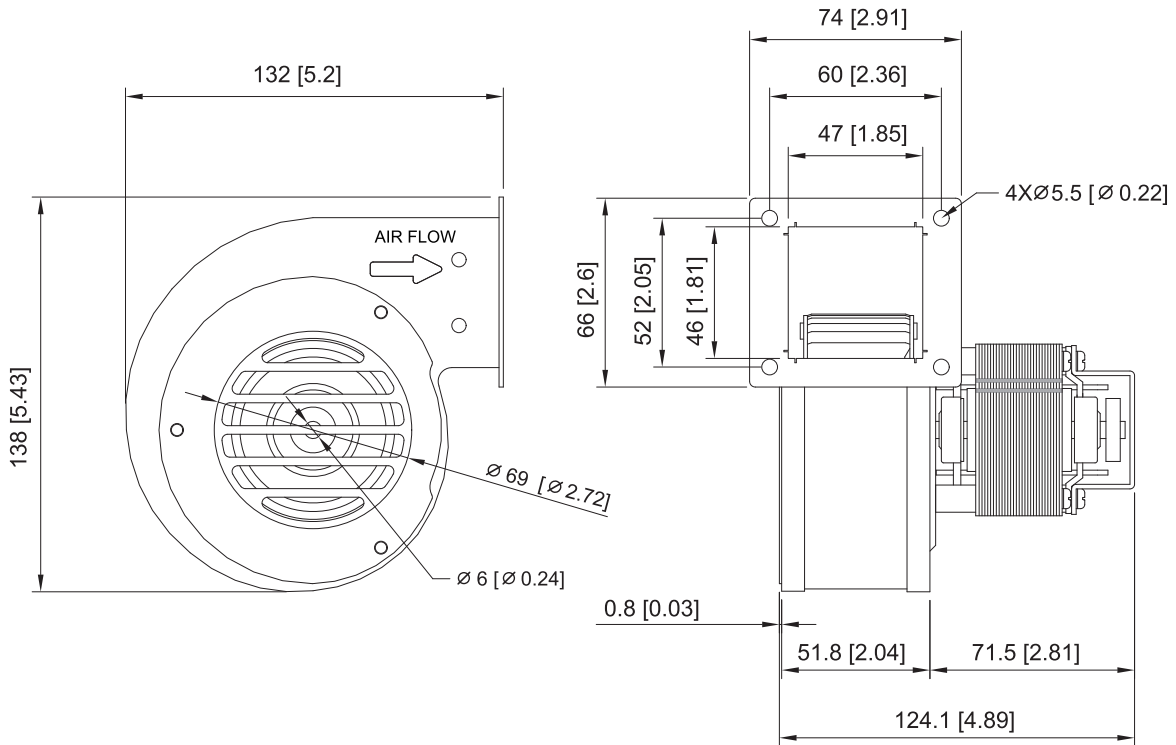


HOUSING	Steel
IMPELLER	Aluminum
BEARING	Ball
TERMINATION	Lead Wire
OPERATING TEMPERATURE	0°C to +55°C
INSULATION RESISTANCE	10M Ohms Min.@500VDC
DIELECTRIC STRENGTH	3mA Max. at 1500 VAC for 1 minute
WEIGHT	1.4KG
ROHS COMPLIANCE	YES
MOTOR TYPE	Shaded Pole Motor
ADDITIONAL FUNCTION	FG

# 132mm

132mm

## DIMENSION



UNIT:mm[inch]

## SPECIFICATION

MODEL NO.	RATED VOLTAGE (V)	FREQUENCY (Hz)	RATED CURRENT (A)	INPUT POWER (W)	SPEED (RPM)	MAX. AIR PRESSURE inchH <sub>2</sub> O mmH <sub>2</sub> O	MAX. AIR FLOW CFM m <sup>3</sup> /min	NOISE dB(A)@ 1M
AB13263V2HB	230	50	0.4	45	2650	0.53 13.4	54 1.54	

## AIR PERFORMANCE

