

A12025-S

120x120x25mm
(4.7"x4.7"x1")



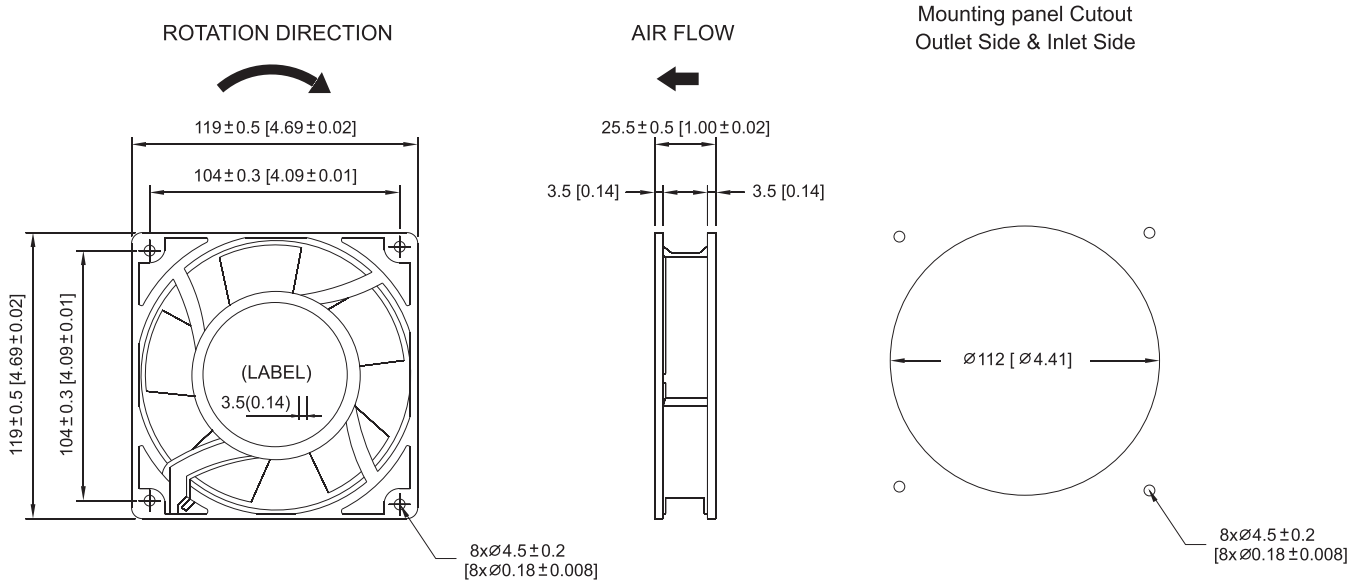
HOUSING Aluminum Die Casting, Painted Black
IMPELLER Thermoplastic PBT, UL94V-0
BEARING Ball or Sleeve
MOTOR TYPE Shaded Pole Motor
TERMINATION Terminals or Lead Wire
OPERATING VOLTAGE RANGE 85VAC to 125VAC for 115V Type
 185VAC to 245VAC for 230V Type
DIELECTRIC STRENGTH 1,500 VAC for 1 minute
INSULATION Class A
INSULATION RESISTANCE 10M Ohms min. @ 500 VDC
OPERATING TEMPERATURE -10°C to +70°C
SAFETY Impedance Protected
WEIGHT 390g
ROHS COMPLIANCE YES
ADDITIONAL FUNCTION FG, RD

120 mm

120mm

AC Fans & Blowers

DIMENSION



UNIT:mm[inch]

SPECIFICATION

| MODEL NO. | RATED VOLTAGE (V) | FREQUENCY (Hz) | RATED CURRENT (A) | INPUT POWER (W) | SPEED (RPM) | MAX. AIR PRESSURE | | MAX. AIR FLOW | | NOISE dB(A) @1M |
|-------------|-------------------|----------------|-------------------|-----------------|-------------|----------------------|--------------------|---------------|---------------------|-----------------|
| | | | | | | inchH ₂ O | mmH ₂ O | CFM | m ³ /min | |
| A12025V1H-S | 115 | 50/60 | 0.22/0.20 | 20.0/17.0 | 2550/3000 | 0.20/0.23 | 5.0/5.9 | 56/65 | 1.60/1.85 | 37 |
| A12025V1M-S | 115 | 50/60 | 0.10/0.09 | 8.0/ 7.5 | 2400/2600 | 0.16/0.18 | 4.0/4.5 | 50/48 | 1.42/1.36 | 30 |
| A12025V1L-S | 115 | 50/60 | 0.06/0.05 | 5.5/ 5.0 | 2100/1900 | 0.14/0.12 | 3.5/3.0 | 43/33 | 1.22/0.95 | 25 |
| A12025V2H-S | 230 | 50/60 | 0.10/0.09 | 17.0/15.0 | 2550/3000 | 0.20/0.23 | 5.0/5.9 | 56/65 | 1.60/1.85 | 37 |
| A12025V2M-S | 230 | 50/60 | 0.06/0.05 | 9.5/ 8.3 | 2400/2600 | 0.16/0.18 | 4.0/4.5 | 50/48 | 1.42/1.36 | 30 |
| A12025V2L-S | 230 | 50/60 | 0.03/0.02 | 5.0/ 4.5 | 2000/1750 | 0.14/0.12 | 3.5/3.0 | 43/33 | 1.22/0.95 | 25 |

AIR PERFORMANCE

