

# A12038M

120x120x38mm  
(4.7"x4.7"x1.5")



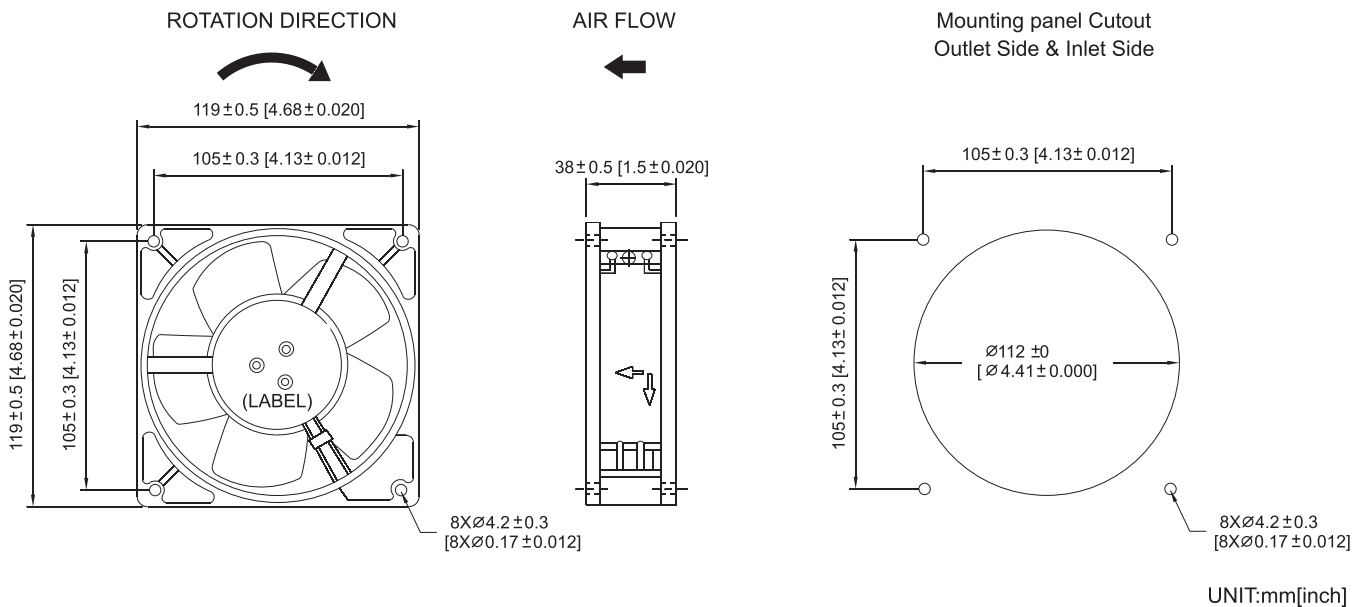
<b>HOUSING</b>	Aluminum Die Casting, Painted Black
<b>IMPELLER</b>	Metal
<b>BEARING</b>	Ball or Sleeve
<b>MOTOR TYPE</b>	Outer Rotor, Shaded Pole Motor
<b>TERMINATION</b>	Terminals or Lead Wire
<b>OPERATING VOLTAGE RANGE</b>	85 VAC to 125 VAC for 115 V Type 185 VAC to 245 VAC for 230 V Type
<b>DIELECTRIC STRENGTH</b>	1,500 VAC for 1 minute
<b>INSULATION</b>	Class A
<b>INSULATION RESISTANCE</b>	10M Ohms min. @ 500 VDC
<b>OPERATING TEMPERATURE</b>	-10°C to +70°C
<b>SAFETY</b>	Impedance Protected
<b>WEIGHT</b>	600g
<b>ROHS COMPLIANCE</b>	YES

# 120mm

120mm

AC Fans & Blowers

## DIMENSION



## SPECIFICATION

MODEL NO.	RATED VOLTAGE (V)	FREQUENCY (Hz)	RATED CURRENT (A)	INPUT POWER (W)	SPEED (RPM)	MAX. AIR PRESSURE		MAX. AIR FLOW		NOISE dB(A) @ 1M
						inchH <sub>2</sub> O	mmH <sub>2</sub> O	CFM	m <sup>3</sup> /min	
A12038V1HM	115	50/60	0.25/0.24	24/22	2650/3000	0.26/0.29	6.70/7.40	82.4/95.6	2.33/2.71	41/45
A12038V1MM	115	50/60	0.24/0.23	23/21	2250/2500	0.26/0.29	6.54/7.26	70.0/78.0	1.98/2.21	38/42
A12038V1LM	115	50/60	0.23/0.22	22/20	1800/2100	0.17/0.20	5.23/6.10	60.0/65.0	1.70/1.84	36/38
A12038V2HM	230	50/60	0.14/0.13	22/21	2650/3000	0.26/0.29	6.70/7.40	82.4/95.6	2.33/2.71	41/45
A12038V2MM	230	50/60	0.13/0.12	21/20	2250/2500	0.26/0.29	6.54/7.26	70.0/78.0	1.98/2.21	38/42
A12038V2LM	230	50/60	0.13/0.12	20/19	1800/2100	0.17/0.20	5.23/6.10	60.0/65.0	1.70/1.84	36/38

## AIR PERFORMANCE

