

# A120385



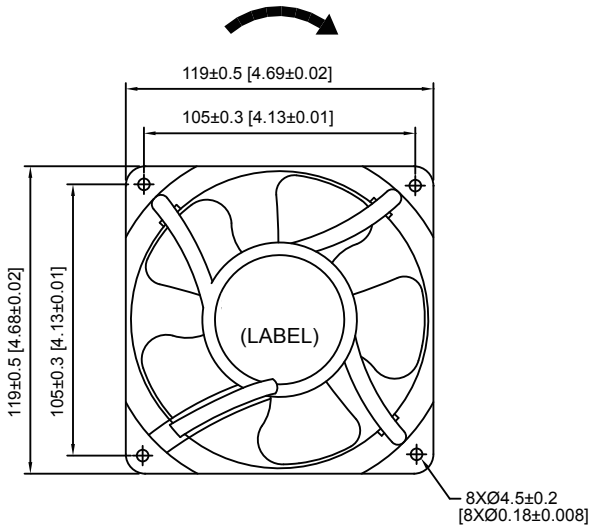
120x120x38mm  
(4.7"x4.7"x1.5")



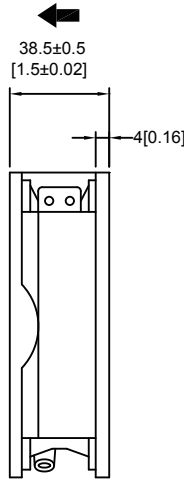
HOUSING	Aluminum Die Casting, Painted Black
IMPELLER	Thermoplastic PBT, UL94V-0
BEARING	Ball or Sleeve
MOTOR TYPE	Shaded Pole Motor
TERMINATION	Terminals or Lead Wire
OPERATING VOLTAGE RANGE	85VAC to 125VAC for 115V Type 185VAC to 245VAC for 230V Type
DIELECTRIC STRENGTH	1,500VAC for 1 second
INSULATION	Class A
INSULATION RESISTANCE	10M Ohms Min. @500 VDC
OPERATING TEMPERATURE	-10°C to + 70°C
SAFETY	Impedance Protected
WEIGHT	515g
ROHS COMPLIANCE	Yes

## DIMENSION

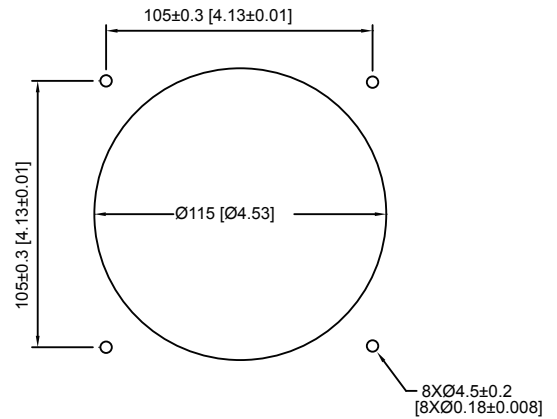
### ROTATION DIRECTION



### AIR FLOW



### Mounting Panel Cutout Outlet Side & Inlet Side



UNIT:mm[inch]

## SPECIFICATION

MODEL NO.	RATED VOLTAGE (V)	FREQUENCY (Hz)	RATED CURRENT (A)	INPUT POWER (W)	SPEED (RPM)	MAX. AIR PRESSURE		MAX. AIR FLOW		NOISE dB(A) @1M
						inchH <sub>2</sub> O	mmH <sub>2</sub> O	CFM	m <sup>3</sup> /min	
A12038V1S	115	50/60	0.22/0.18	16/14	2700/3200	0.31/0.26	7.87/6.6	103/117	2.9/3.3	43/47
A12038V2S	230	50/60	0.11/0.09	16/14	2700/3200	0.31/0.26	7.87/6.6	103/117	2.9/3.3	43/47

## AIR PERFORMANCE

