

A15055-S



150x172x55mm
(5.9"x6.77"x2.17")



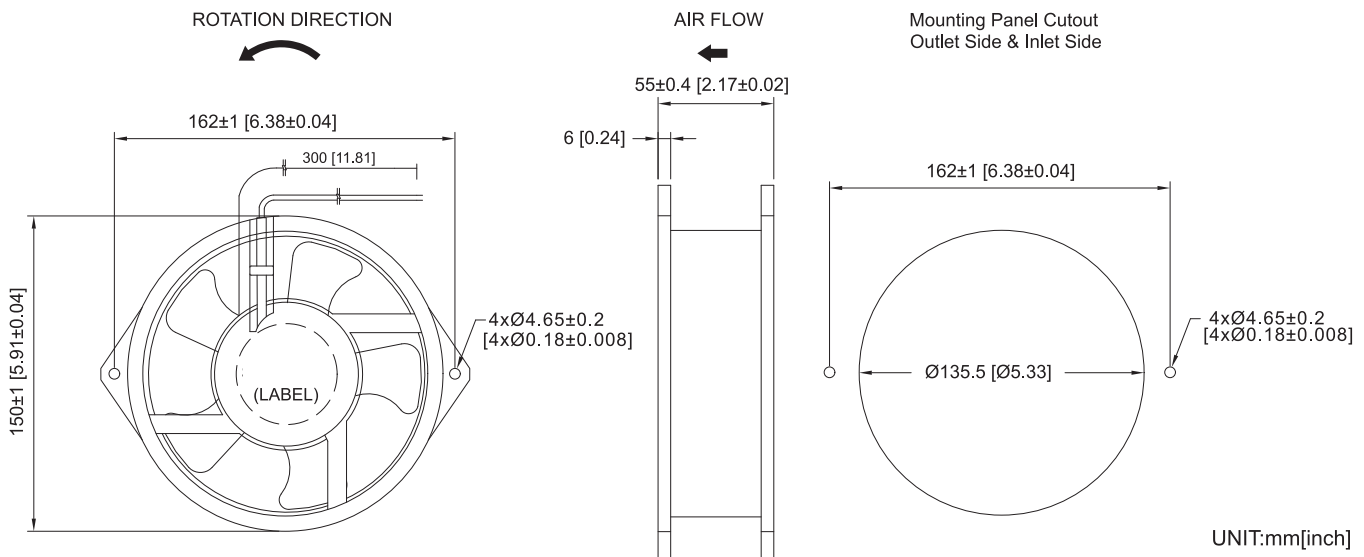
HOUSING Aluminum Die Casting, Painted Black
IMPELLER Thermoplastic PBT, UL94V-0
BEARING Ball
MOTOR TYPE Shaded Pole Motor
TERMINATION Lead Wire
OPERATING VOLTAGE RANGE 85VAC to 125VAC for 115V Type
 185VAC to 245VAC for 230V Type
DIELECTRIC STRENGTH 1,500 VAC for 1 minute
INSULATION Class A
INSULATION RESISTANCE 10M Ohms mins. @500 VDC
OPERATING TEMPERATURE -10°C to +70°C
SAFETY Thermally Protected
WEIGHT 1kg
ROHS COMPLIANCE Yes

150mm

150mm

AC Fans & Blowers

DIMENSION



SPECIFICATION

MODEL NO.	RATED VOLTAGE (V)	FREQUENCY (Hz)	RATED CURRENT (A)	INPUT POWER (W)	SPEED (RPM)	MAX. AIR PRESSURE		MAX. AIR FLOW		NOISE dB(A)@1M
						inchH ₂ O	mmH ₂ O	CFM	m ³ /min	
A15055V1H-S	115	50/60	0.73/0.64	67/55	2600/2800	0.38/0.42	9.7/10.5	151/166	4.30/4.70	50
A15055V2H-S	230	50/60	0.30/0.26	50/45	2600/2800	0.38/0.42	9.7/10.5	151/166	4.30/4.70	50
A15055V24H-S	24	50/60	1.95/1.80	34/32	2530/2670	0.35/0.25	8.8/ 6.4	155/156	4.39/4.42	50

AIR PERFORMANCE

