

A15055



150x172x55mm
(5.9"x6.77"x2.17")



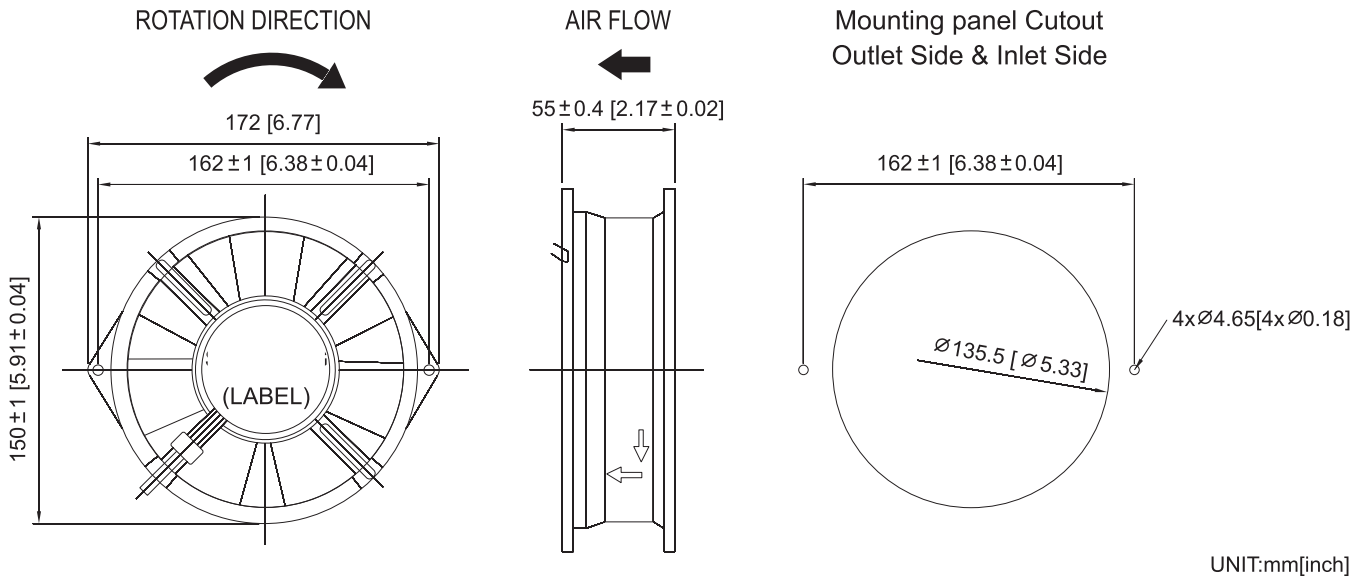
HOUSING	Aluminum Die Casting, Painted Black
IMPELLER	Thermoplastic PBT, UL94V-0
BEARING	Ball
MOTOR TYPE	AC Induction Capacitor Motor
TERMINATION	Lead Wire
OPERATING VOLTAGE RANGE	85VAC to 125VAC for 115V Type 185VAC to 245VAC for 230V Type
DIELECTRIC STRENGTH	1,500 VAC for 1 minute
INSULATION	Class A
INSULATION RESISTANCE	10M Ohms mins. @500 VDC
OPERATING TEMPERATURE	-10°C to +70°C
SAFETY	Thermally Protected
WEIGHT	1kg
ROHS COMPLIANCE	Yes

150mm

150mm

AC Fans & Blowers

DIMENSION



SPECIFICATION

MODEL NO.	RATED VOLTAGE (V)	FREQUENCY (Hz)	RATED CURRENT (A)	INPUT POWER (W)	SPEED (RPM)	MAX. AIR PRESSURE		MAX. AIR FLOW		NOISE dB(A) @1M
						inchH ₂ O	mmH ₂ O	CFM	m ³ /min	
A15055V1H	115	50/60	0.34/0.38	38/44	2900/3300	0.58/0.74	14.7/18.8	204/235	5.80/6.70	57/61
A15055V2H	230	50/60	0.17/0.19	37/43	2900/3300	0.58/0.74	14.7/18.8	202/239	5.70/6.80	57/61

AIR PERFORMANCE

