

A15055M-5PT



150x172x55mm
(5.9"x6.77"x2.17")

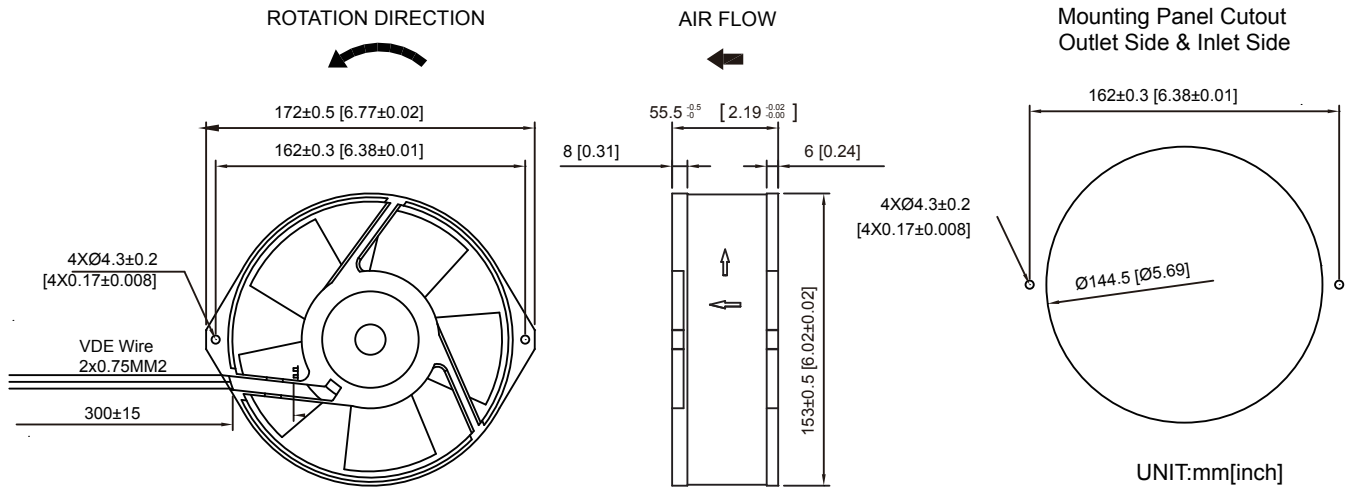


HOUSING
IMPELLER
BEARING
MOTOR TYPE
TERMINATION
OPERATING VOLTAGE RANGE

DIELECTRIC STRENGTH
INSULATION
INSULATION RESISTANCE
OPERATING TEMPERATURE
SAFETY
WEIGHT
ROHS COMPLIANCE
IP Level

Aluminum Die Casting, Painted Black
Metal
Ball
Outer Rotor, AC Induction Capacitor Motor
Terminals or Lead Wire
85VAC to 125VAC for 115V Type
185VAC to 245VAC for 230V Type
1,500VAC for 1 minute
Class A
10M Ohms Min. @500 VDC
0°C to +70°C
Thermally Protected
984g
Yes
IP54 Included

DIMENSION



SPECIFICATION

MODEL NO.	RATED VOLTAGE (V)	FREQUENCY (Hz)	RATED CURRENT (A)	INPUT POWER (W)	SPEED (RPM)	MAX. AIR PRESSURE		MAX. AIR FLOW		NOISE dB(A) @1M
						inchH ₂ O	mmH ₂ O	CFM	m ³ /min	
A15055V1HBLM-5PT	115	50/60	0.25/0.23	26/25	2750/3200	0.55/0.60	13.97/15.24	220/250	6.23/7.08	55/59
A15055V1HBLM-5PT	230	50/60	0.14/0.13	30/28	2700/3100	0.60/0.78	15.24/19.81	230/265	6.51/7.50	52/55

AIR PERFORMANCE

