

# A17238

172x151x38mm  
(6.8"x5.9"x1.5")



AC Fans & Blowers

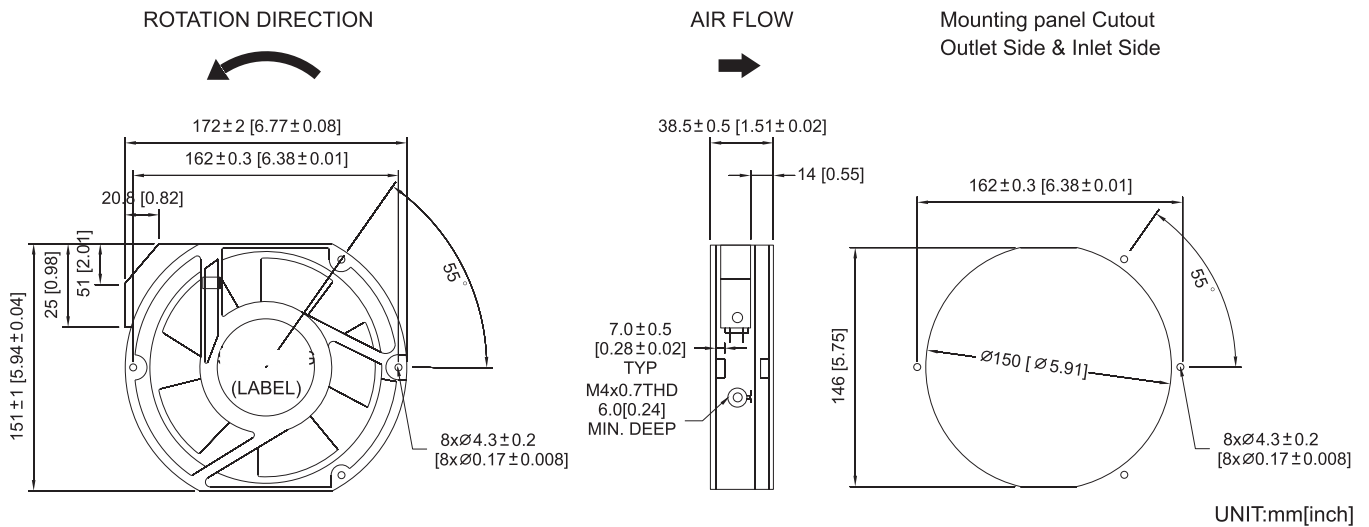


HOUSING	Aluminum Die Casting, Painted Black
IMPELLER	Thermoplastic PBT, UL94V-0
BEARING	Ball
MOTOR TYPE	AC Induction Capacitor Motor
TERMINATION	Terminals or Lead wire
OPERATING VOLTAGE RANGE	85VAC to 125VAC for 115V Type 185VAC to 245VAC for 230V Type
DIELECTRIC STRENGTH	1,500VAC for 1 minute
INSULATION	Class A
INSULATION RESISTANCE	10M Ohms min. @ 500 VDC
OPERATING TEMPERATURE	-10°C to +70°C
SAFETY	Thermally Protected
WEIGHT	693g
ROHS COMPLIANCE	Yes

# 172mm

172mm

## DIMENSION



## SPECIFICATION

MODEL NO.	RATED VOLTAGE (V)	FREQUENCY (Hz)	RATED CURRENT (A)	INPUT POWER (W)	SPEED (RPM)	MAX. AIR PRESSURE		MAX. AIR FLOW		NOISE dB(A) @ 1M
						inchH <sub>2</sub> O	mmH <sub>2</sub> O	CFM	m <sup>3</sup> /min	
A17238V1H	115	50/60	0.22/0.29	25/32	2800/3300	0.57/0.48	14.6/12.2	198/225	5.6/6.4	58/62
A17238V1XL	115	50/60	0.15/0.15	16/16	1400/1800	0.16/0.23	4.29/6.01	100/119	2.8/3.4	40/45
A17238V2H	230	50/60	0.11/0.14	25/31	2800/3300	0.57/0.48	14.6/12.2	198/229	5.6/6.5	58/62
A17238V2XL	230	50/60	0.06/0.07	14/13	1400/1800	0.16/0.23	4.29/6.01	99/117	2.8/3.3	40/45

## AIR PERFORMANCE

