

# A18065



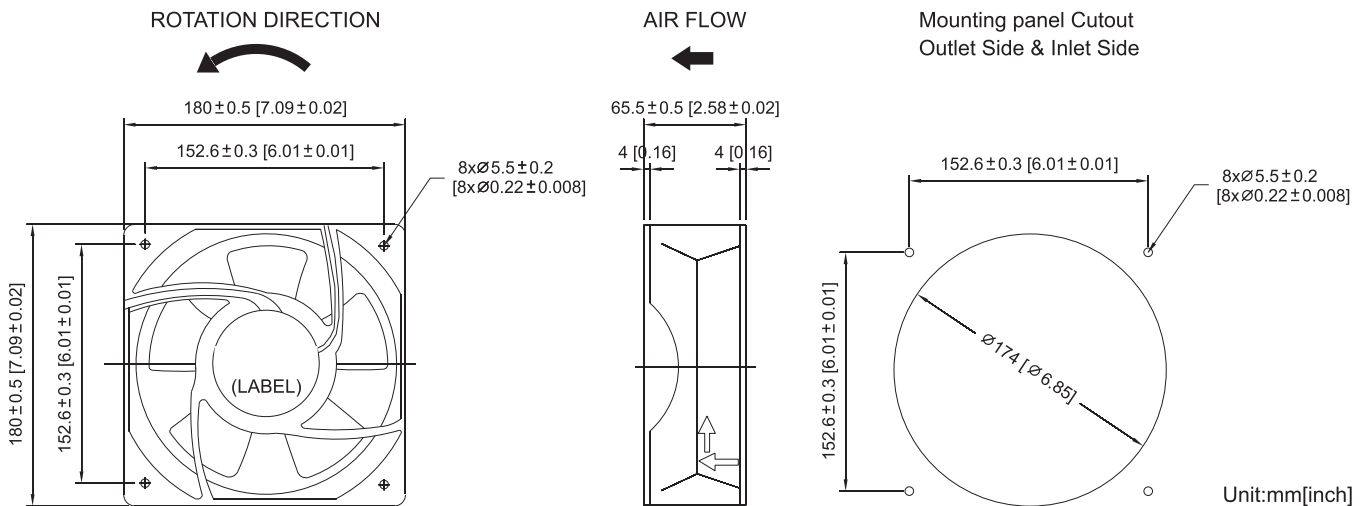
180x180x65mm  
(7.09"x7.09"x2.56")



**HOUSING** Aluminum Die Casting, Painted Black  
**IMPELLER** Thermoplastic PBT, UL94V-0  
**BEARING** Ball  
**MOTOR TYPE** AC Induction Capacitor Motor  
**TERMINATION** Terminals or Lead Wire  
**OPERATING VOLTAGE RANGE** 85VAC to 125VAC for 115VAC Type  
 185VAC to 245VAC for 230VAC Type  
**DIELECTRIC STRENGTH** 1,500 VAC for 1 minute  
**INSULATION** Class A  
**INSULATION RESISTANCE** 10M Ohms min. @ 500VDC  
**OPERATING TEMPERATURE** -10°C to +70°C  
**SAFETY** Thermally Protected  
**WEIGHT** 1600g  
**ROHS COMPLIANCE** Yes

# 180mm

## DIMENSION



## SPECIFICATION

| MODEL NO. | RATED VOLTAGE (V) | FREQUENCY (Hz) | RATED CURRENT (A) | INPUT POWER (W) | SPEED (RPM) | MAX. AIR PRESSURE    |                    | MAX. AIR FLOW |                     | NOISE dB(A) @1M |
|-----------|-------------------|----------------|-------------------|-----------------|-------------|----------------------|--------------------|---------------|---------------------|-----------------|
|           |                   |                |                   |                 |             | inchH <sub>2</sub> O | mmH <sub>2</sub> O | CFM           | m <sup>3</sup> /min |                 |
| A18065V1H | 115               | 50/60          | 0.49/0.66         | 56/74           | 2650/3000   | 0.66/0.74            | 16.9/18.8          | 342/365       | 9.7/10.3            | 58/61           |
| A18065V2H | 230               | 50/60          | 0.26/0.33         | 58/76           | 2700/3100   | 0.66/0.74            | 16.9/18.8          | 352/394       | 9.9/11.1            | 58/61           |

## AIR PERFORMANCE

