

# ACB 208~350 Blade

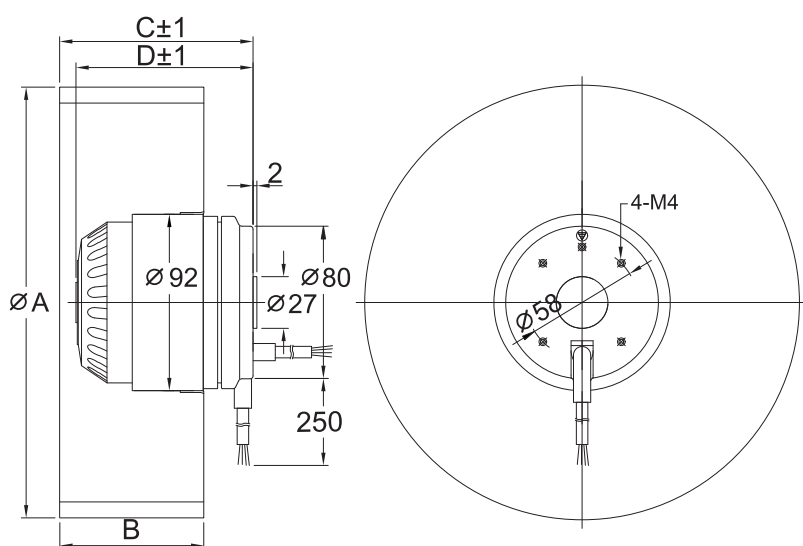


Blade Size:  $\varnothing 120, \varnothing 160, \varnothing 180, \varnothing 200\text{mm}$ ,  
2 Poles & 4 Poles

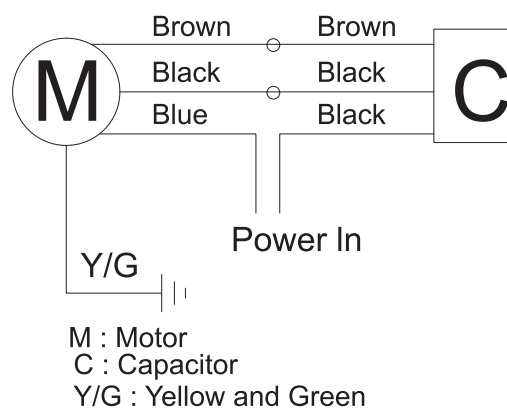


MOTOR	Outer rotor moter $\varnothing 92\text{mm}$
IMPELLER	Steel
BEARING	Ball
INSULATION	Class F
OPERATING TEMPERATURE	$0^{\circ}\text{C} \sim +65^{\circ}\text{C}$
INSULATION RESISTANCE	10M Ohms Min. @500VDC/min
DIELECTRIC STRENGTH	5mA Max.at 1500 VAC for 1 minute
SAFETY	Thermally Protected
ROHS COMPLIANCE	YES

## DIMENSION



## WIRE DIAGRAM



MODEL NO.	DIMENSION(mm)				WEIGHT (Kg)
	A	B	C	D	
ACB208120F-2P	120	62	85	63	2.3
ACB226130HF-2P	160	62	72	91	4.2
ACB226130MF-2P	160	75	72	72	4.2
ACB226130LF-2P	160	102	72	68	2.9
ACB270145F-4P	180	62	89	82	4.2
ACB350180F-4P	200	62	129	117	6.4
ACB226130HF-4P	160	62	72	91	7.0

UNIT:mm

## SPECIFICATION

MODEL NO.	RATED VOLTAGE(V)	FREQUENCY (Hz)	RATED CURRENT (A)	INPUT POWER(W)	SPEED (RPM)	CAPACITOR $\mu\text{F}/\text{Vac}$
ACB208120V1H2PF	110	60	0.94	103	2010	12/250
ACB208120V2H2PF	220	50/60	0.34/0.47	74/102	2010/2080	3/450
ACB226130V1H2PF	110	60	2.60	283	1980	30/250
ACB208130V1M2PF	110	60	2.11	231	2200	25/250
ACB208130V1L2PF	110	60	1.62	212	2060	16/250
ACB208130V1H4PF	110	60	0.47	84.9	1400	8/250
ACB208130V2H2PF	220	50/60	0.92/1.30	196/283	2190/2200	8/450
ACB208130V2M2PF	220	50/60	0.78/1.06	171/231	2075/1980	6/450
ACB208130V2L2PF	220	50/60	0.60/0.81	158/212	2140/2060	4/450
ACB208130V2H4PF	220	50/60	0.26/0.37	58/85	1300/1400	2/450
ACB270145V1H4PF	110	60	1.06	146	1180	12/450
ACB270145V2H4PF	220	50/60	0.46/0.66	100/146	1220/1180	3/450
ACB350180V1H4PF	110	60	2.17	226	1050	20/250
ACB350180V2H4PF	220	50/60	0.83/1.08	170/226	1140/1050	4/450