

ACB 226130 Single Inlet Blower



226x130mm, 2 Poles & 4 Poles
(8.89"x4.72")

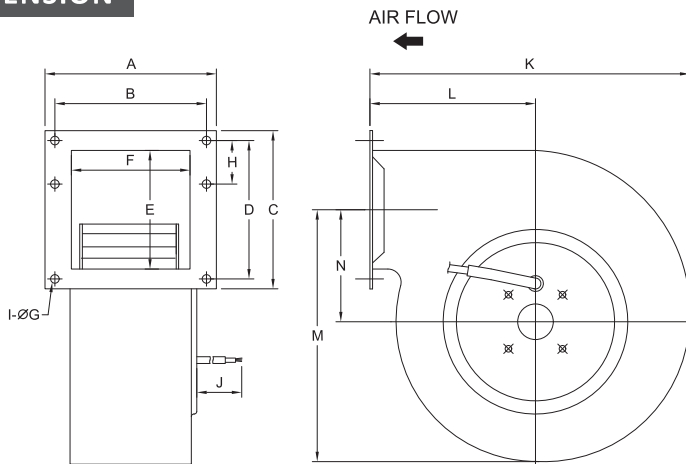


- MOTOR
- HOUSING
- IMPELLER
- BEARING
- INSULATION
- OPERATING TEMPERATURE
- INSULATION RESISTANCE
- DIELECTRIC STRENGTH
- SAFETY
- ROHS COMPLIANCE

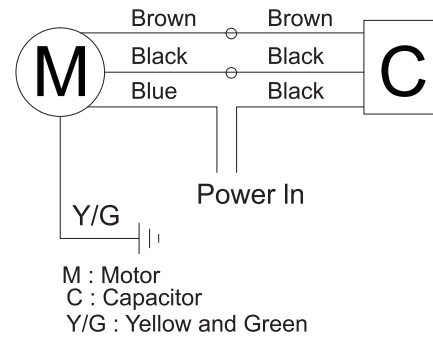
- Outer rotor motor $\varnothing 92\text{mm}$
- Steel Painted Black Scroll
- Steel
- Ball
- Class F
- $0^\circ\text{C} \sim +65^\circ\text{C}$
- 10M Ohms Min. @500VDC
- 5mA Max. at 1500 VAC for 1 minute
- Thermally Protected
- YES

226 mm

DIMENSION



WIRE DIAGRAM



MODEL NO.	DIMENSION(mm)													WEIGHT (Kg)
	A	B	C	D	E	F	G	I	J	K	L	M	N	
ACB226130H-2P	130	115	120	105	90	92	6.5	4	560	226	104	203	94	3.9
ACB226130M-2P	130	115	120	105	90	92	6.5	4	560	226	104	203	94	3.9
ACB226130L-2P	130	115	120	105	90	92	6.5	4	560	226	104	203	94	2.6
ACB226130H-4P	130	115	120	105	90	92	6.5	4	560	226	104	203	94	2.9

UNIT:mm

SPECIFICATION

MODEL NO.	RATED VOLTAGE(V)	FREQUENCY (Hz)	RATED CURRENT (A)	INPUT POWER(W)	SPEED (RPM)	MAX. AIR PRESSURE		MAX. AIR FLOW		NOISE dB(A)@1M	CAPACITOR $\mu\text{F}/\text{Vac}$
						inchH ₂ O	mmH ₂ O	CFM	m ³ /min		
ACB226130V1H2P	110	60	2.76	300	1980	2.79	63.44	368	10.42	72	30/250
ACB226130V1M2P	110	60	2.24	245	2200	2.36	59.97	332	9.42	72	25/250
ACB226130V1L2P	110	60	1.72	225	2060	2.10	53.55	309	8.75	63	16/250
ACB226130V1H4P	110	60	0.60	90	1400	0.91	23.05	262	7.42	66	8/250
ACB226130V2H2P	220	50/60	1.10/1.38	235/300	2190/2200	1.96/2.52	49.9/64.0	377/368	10.67/10.42	72/72	8/450
ACB226130V2M2P	220	50/60	0.93/1.12	205/245	2075/1980	1.78/2.35	45.4/59.6	353/332	10.0/9.42	68/67	6/450
ACB226130V2L2P	220	50/60	0.71/0.86	190/225	2140/2060	1.60/2.10	40.8/53.3	315/309	8.91/8.75	64/63	4/450
ACB226130V2H4P	220	50/60	0.32/0.40	70/90	1300/1400	0.64/0.91	16.2/23.0	241/262	6.86/7.42	65/66	2/450

AIR PERFORMANCE

