

ACF 22575~100



Ø225x75~100mm, 2 Poles & 4 Poles
(Ø8.86"x2.95"~3.94")

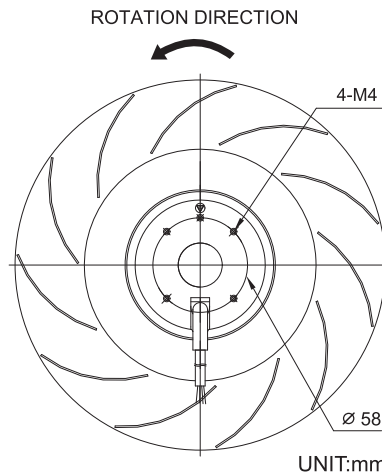
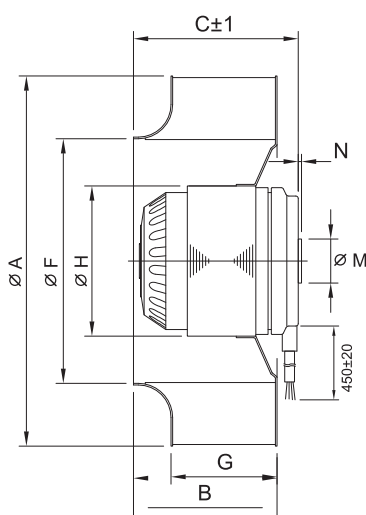


MOTOR
IMPELLER
BEARING
TERMINATION
DIELECTRIC STRENGTH
INSULATION
INSULATION RESISTANCE
OPERATING TEMPERATURE
SAFETY
ROHS COMPLIANCE

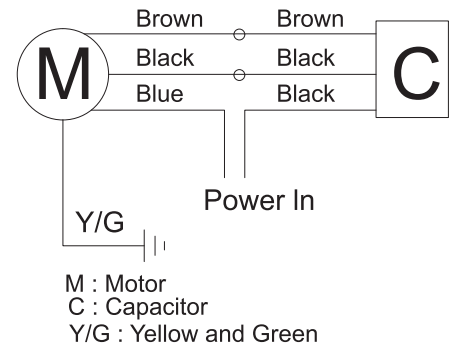
Outer rotor motor Ø92mm
Metal
Ball
Lead Wire
5mA Max.at 1500 VAC for 1 minute
Class F
10M Ohms Min. @500VDC
0°C ~ +65°C
Thermally Protected
YES

225 mm

DIMENSION



WIRE DIAGRAM



MODEL NO.	DIMENSION(mm)								WEIGHT (Kg)
	A	B	C	F	G	H	M	N	
ACF22575-2P	225	65	75	153	42	92	27	2	2.3
ACF22575-4P	225	65	75	153	42	92	27	2	3.0
ACF225100-2P	225	88	100	153	65	92	27	2	3.4
ACF225100-4P	225	88	100	153	65	92	27	2	3.2

SPECIFICATION

MODEL NO.	RATED VOLTAGE(V)	FREQUENCY (Hz)	RATED CURRENT (A)	INPUT POWER(W)	SPEED (RPM)	MAX. AIR PRESSURE		MAX. AIR FLOW		NOISE dB(A)@1M	CAPACITOR uF/Vac
						inchH ₂ O	mmH ₂ O	CFM	m ³ /min		
ACF22575V1H2P	110	60	1.05	115	2925	1.38	60.2	512	14.5	72	12/250
ACF22575V2H2P	220	50/60	0.65/0.92	85/115	2350/2625	2.18/2.37	55.5/60.2	448/512	12.6/14.5	70/72	3/450
ACF22575V1H4P	110	60	0.38	40	1700	0.86	21.7	324	9.17	58	6/250
ACF22575V2H4P	220	50/60	0.14/0.19	30/40	1440/1700	0.60/0.85	15.3/21.7	259/324	7.3/9.2	54/58	1.5/450
ACF225100V1H2P	110	60	1.90	200	2900	3.01	76.5	618	17.5	75	20/250
ACF225100V2H2P	220	50/60	0.39/0.52	140/200	2620/2870	2.19/3.01	55.6/60.2	577/618	16.3/17.5	71/75	5/450
ACF225100V1H4P	110	60	0.52	55	1650	0.92	23.3	395	11.6	59	8/250
ACF225100V2H4P	220	50/60	0.25/0.26	50/55	1440/1650	0.62/0.91	15.8/23.2	347/395	9.8/11.6	55/59	2/450

AIR PERFORMANCE

