

ACF305110



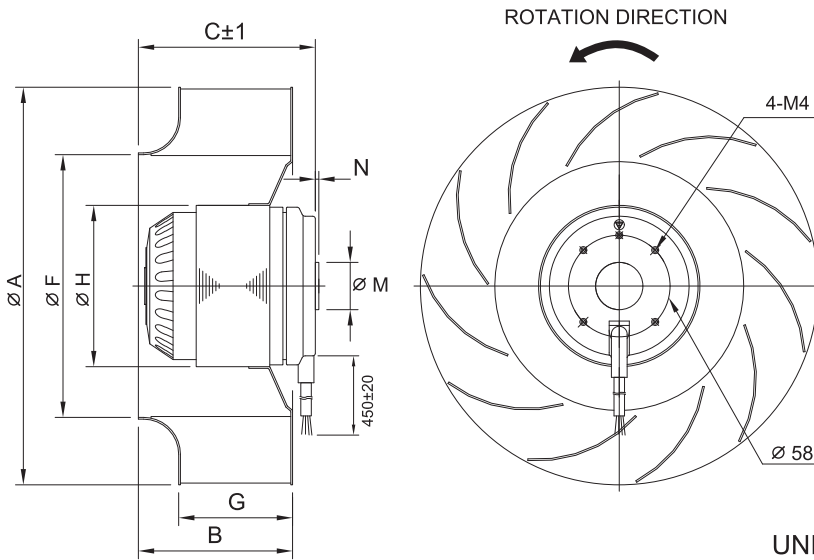
Ø305x110mm, 4 Poles
(Ø12"x4.33")



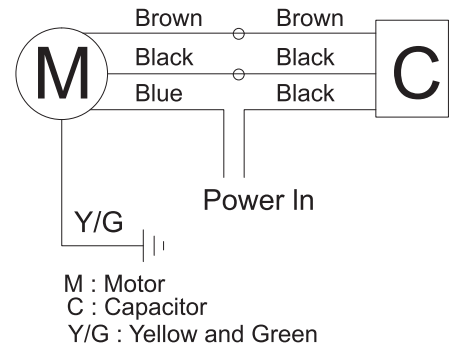
MOTOR	Outer rotor motor Ø92mm
IMPELLER	Metal
BEARING	Ball
TERMINATION	Lead Wire
DIELECTRIC STRENGTH	5mA Max.at 1500 VAC for 1 minute
INSULATION	Class F
INSULATION RESISTANCE	10M Ohms Min. @500VDC
OPERATING TEMPERATURE	0 °C ~ + 65 °C
SAFETY	Thermally Protected
ROHS COMPLIANCE	YES

305 mm

DIMENSION



WIRE DIAGRAM



AC/DC/EC Centrifugal Fans & Blowers

MODEL NO.	DIMENSION(mm)								WEIGHT (Kg)
	A	B	C	F	G	H	M	N	
ACF305110	305	92	110	206	57	92	27	2	3.5

SPECIFICATION

MODEL NO.	RATED VOLTAGE(V)	FREQUENCY (Hz)	RATED CURRENT (A)	INPUT POWER(W)	SPEED (RPM)	MAX. AIR PRESSURE		MAX. AIR FLOW		NOISE dB(A)@1M	CAPACITOR uF/Vac
						inchH ₂ O	mmH ₂ O	CFM	m ³ /min		
ACF305110V1H4P	110	60	1.37	150	1645	1.53	38.8	895	25.33	70	15/250
ACF305110V2H4P	220	50/60	0.67/0.37	125/150	1395/1645	1.08/1.53	27.5/38.8	742/895	21/25.3	67/70	4/450

AIR PERFORMANCE

