

ACF355128



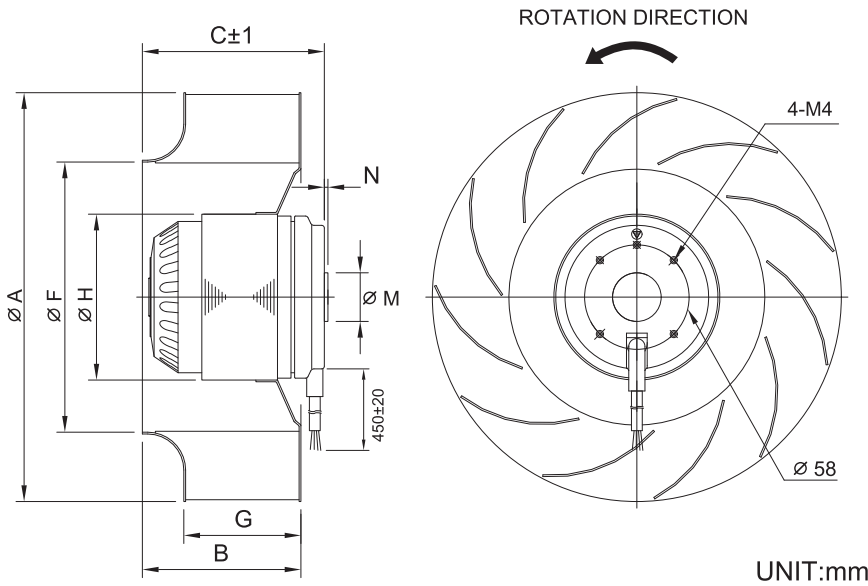
Ø355x128mm, 4 Poles
(Ø13.98"x5.04")



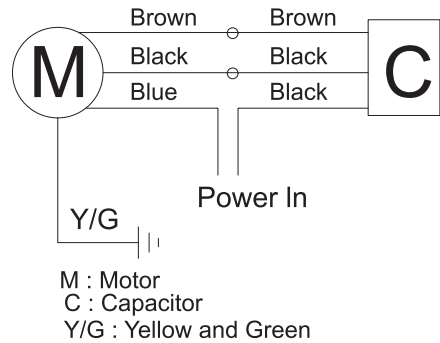
MOTOR	Outer rotor motor Ø92mm
IMPELLER	Metal
BEARING	Ball
TERMINATION	Lead Wire
DIELECTRIC STRENGTH	5mA Max.at 1500 VAC for 1 minute
INSULATION	Class F
INSULATION RESISTANCE	10M Ohms Min. @500VDC
OPERATING TEMPERATURE	-10 °C ~ + 65 °C
SAFETY	Thermally Protected
ROHS COMPLIANCE	YES

355 mm

DIMENSION



WIRE DIAGRAM



AC/DC/EC Centrifugal Fans & Blowers

MODEL NO.	DIMENSION(mm)								WEIGHT (Kg)
	A	B	C	F	G	H	M	N	
ACF355128	355	108	128	240	75	92	27	2	4.3

SPECIFICATION

MODEL NO.	RATED VOLTAGE(V)	FREQUENCY (Hz)	RATED CURRENT (A)	INPUT POWER(W)	SPEED (RPM)	MAX. AIR PRESSURE		MAX. AIR FLOW		NOISE dB(A)@1M	CAPACITOR uF/Vac
						inchH ₂ O	mmH ₂ O	CFM	m ³ /min		
ACF355128V2H4P	220	50	0.37	160	1370	1.37	34.7	1107	31.3	66	6/450

AIR PERFORMANCE

