

DCB 225137

Single Inlet Blower



225x236x137mm, 4 Poles
(8.85"x9.29"x5.39")

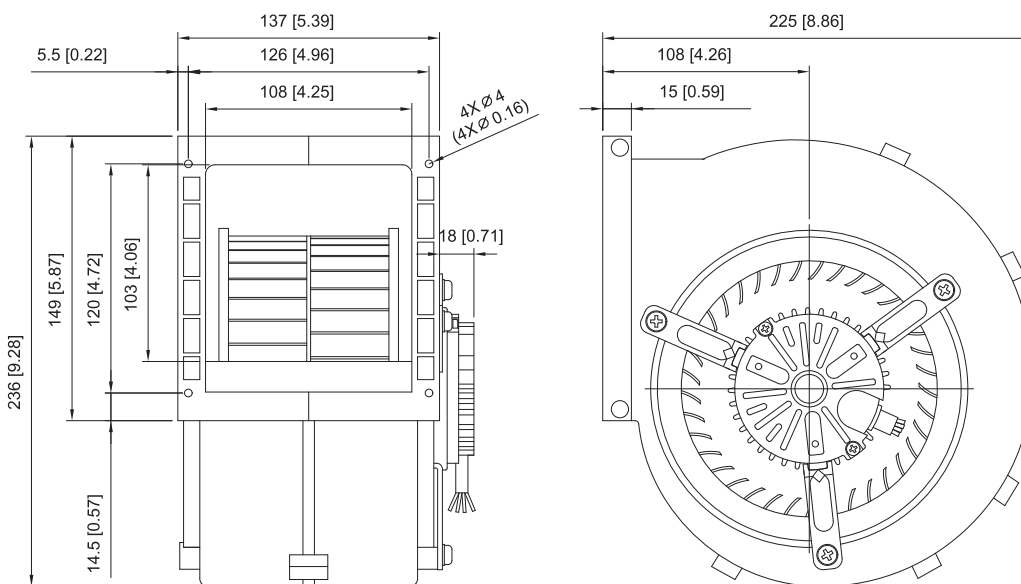


HOUSING
IMPELLER
BEARING
OPERATING TEMPERATURE
INSULATION RESISTANCE
DIELECTRIC STRENGTH
WEIGHT
ROHS COMPLIANCE

Nylon66+30%PVC
Nylon66+30%Fiber
Ball
0 °C ~ + 65 °C
10M Ohms for 1 minute
5mA Max.at 500 VAC for 1 minute
2.5Kg
YES

225 mm

DIMENSION



UNIT:mm[inch]

SPECIFICATION

MODEL NO.	RATED VOLTAGE (V)	RATED CURRENT (A)	INPUT POWER (W)	SPEED (RPM)	MAX. AIR PRESSURE		MAX. AIR FLOW		NOISE dB(A)@1M
					inchH ₂ O	mmH ₂ O	CFM	m ³ /min	
DCB225137V12H	12	13.5	162	2340	1.85	47	430	12.17	71
DCB225137V24H	24	13.0	312	2860	3.07	78	530	15.00	75
DCB225137V24M	24	10.0	240	2680	2.56	65	495	14.00	73

AIR PERFORMANCE

