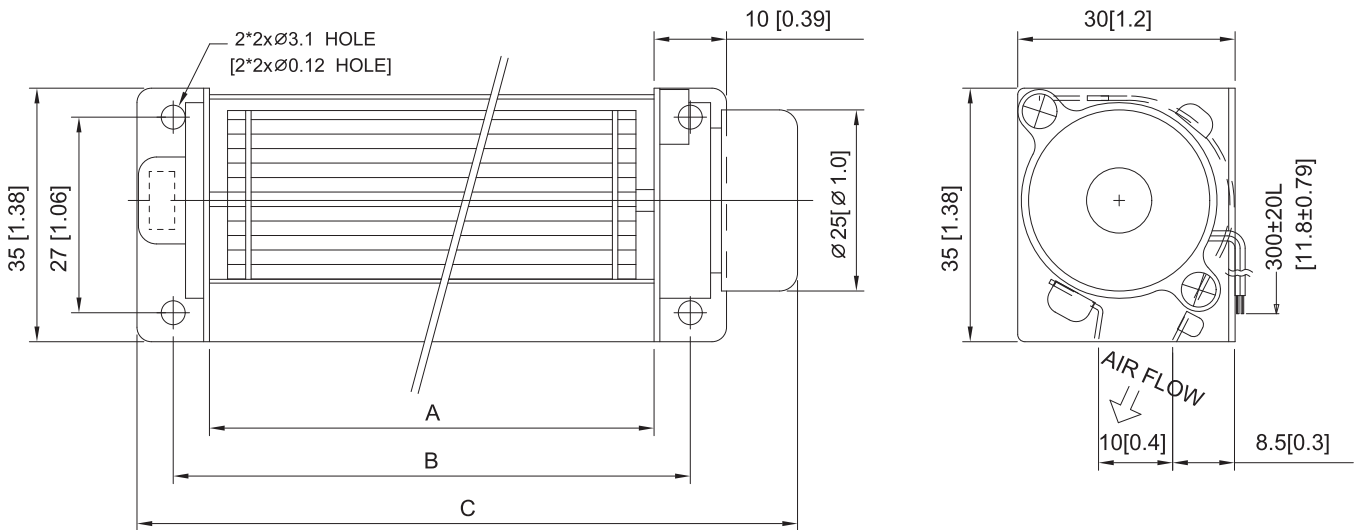


DF 25



HOUSING	Metal / Aluminum
IMPELLER	Aluminum, Ø25 mm
BEARING	Ball
OPERATING TEMPERATURE	0°C to +45°C
INSULATION RESISTANCE	10M Ohms Min. @500 VDC
DIELECTRIC STRENGTH	5mA Max.at 500VAC for 1 minute
ROHS COMPLIANCE	Yes
MOTOR TYPE	DC Brushless Motor

DIMENSION



MODEL NO.	DIMENSION(mm)			WEIGHT (g)
	A	B	C	
DF25098	98	108	129	80
DF25160	160	170	191	100
DF25198	198	208	229	110

UNIT:mm[inch]

SPECIFICATION

MODEL NO.	RATED VOLTAGE(V)	RATED CURRENT(A)	INPUT POWER (W)	SPEED (RPM)	MAX. AIR PRESSURE		MAX. AIR FLOW		NOISE dB(A)@ 1M
					inchH ₂ O	mmH ₂ O	CFM	m ³ /min	
DF25098V12H	12	0.13	1.56	4000	0.07	1.8	9	0.25	30
DF25160V12H	12	0.13	1.56	3400	0.04	1.0	12	0.35	31
DF25198V12H	12	0.13	1.56	3300	0.04	1.0	15	0.43	35

AIR PERFORMANCE

