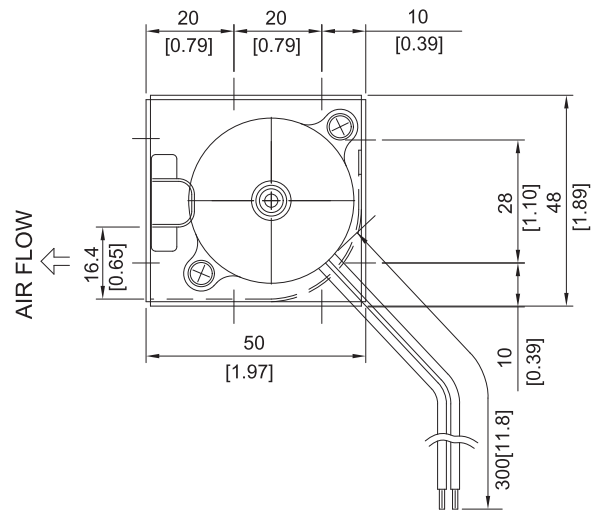
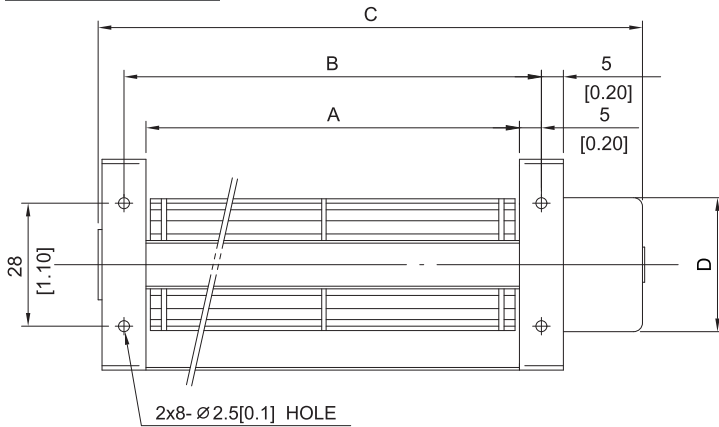


DF 30



HOUSING	Metal / Aluminum
IMPELLER	Aluminum, Ø30 mm
BEARING	Ball
OPERATING TEMPERATURE	0°C to + 45°C
INSULATION RESISTANCE	10M Ohms Min. @500 VDC
DIELECTRIC STRENGTH	5mA Max.at 500VAC for 1 minute
ROHS COMPLIANCE	Yes
MOTOR TYPE	DC Brushless Motor

DIMENSION



MODEL NO.	DIMENSION(mm)				WEIGHT (g)
	A	B	C	D	
DF30098	98	108	134	31	180
DF30160	160	170	196	31	210
DF30198	198	208	234	31	230
DF30300	300	310	336	31	290
DF30300Q	300	310	345	38	300

UNIT:mm[inch]

SPECIFICATION

MODEL NO.	RATED VOLTAGE(V)	RATED CURRENT(A)	INPUT POWER (W)	SPEED (RPM)	MAX. AIR PRESSURE		MAX. AIR FLOW		NOISE dB(A)@ 1M
					inchH ₂ O	mmH ₂ O	CFM	m ³ /min	
DF30098V12H	12	0.15	1.80	3200	0.07	1.9	22	0.6	29
DF30098V24H	24	0.18	4.32	3200	0.07	1.9	22	0.6	29
DF30160V12H	12	0.16	1.92	3100	0.07	1.7	28	0.8	30
DF30160V24H	24	0.15	3.60	3100	0.07	1.7	28	0.8	30
DF30198V12H	12	0.20	2.40	2900	0.07	1.7	35	1.0	31
DF30198V24H	24	0.16	3.84	2900	0.07	1.7	35	1.0	31
DF30300V12H	12	0.22	2.64	2600	0.06	1.5	46	1.3	33
DF30300V24H	24	0.20	4.80	2600	0.06	1.5	46	1.3	33
DF30300V12HQ	12	0.28	3.36	2800	0.06	1.6	53	1.5	52
DF30300V24HQ	24	0.15	3.60	2800	0.06	1.6	53	1.5	52

AIR PERFORMANCE

